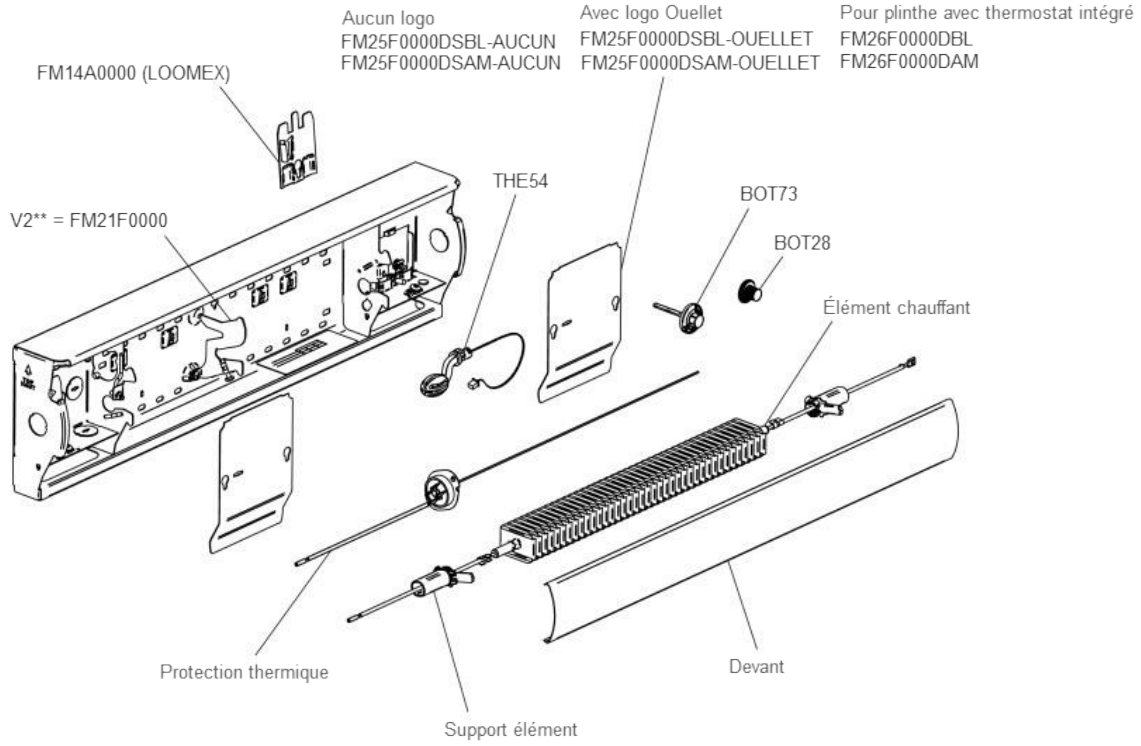
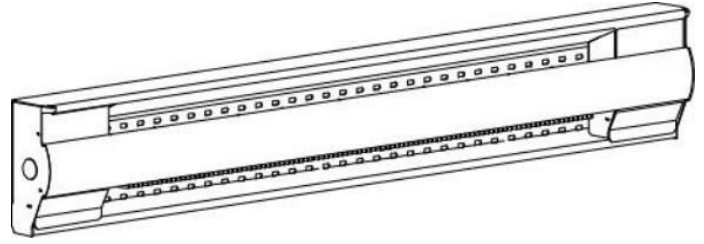


# série OFM

Plinthe électrique



Watts	Élément chauffant Heating element						Devant Front	Protection thermique High-limit		Longueur du produit Product length		Support élément Bushing	
	120V	208V	240V	277V	347V	600V		V1**	V2**	m m	po in	V1**	V2**
300	SF44A01A0	SF44A01B0	SF44A01C0	-	-	-	FM04M0100D*	PRT50	PRT120	566	22 5/16	BUS09	6900000013
500	SF44A02A0	SF44A02B0	SF44A02C0	SF44A02G0	SF44A02D0	-	FM04M0200D*	PRT50	PRT120	691	27 3/16	BUS09	6900000013
750	SF44A03A0	SF44A03B0	SF44A03C0	SF44A03G0	SF44A03D0	SF44A03E0	FM04M0300D*	PRT51	PRT121	945	37 3/16	BUS09	6900000013
1000	SF44A04A0	SF44A04B0	SF44A04C0	SF44A04G0	SF44A04D0	SF44A04E0	FM04M0400D*	PRT52	PRT122	1206	47 1/2	BUS09	6900000013
1250	SF44A05A0	SF44A05B0	SF44A05C0	SF44A05G0	SF44A05D0	SF44A05E0	FM04M0500D*	PRT53	PRT123	1447	57	BUS09	6900000013
1500	SF44A06A0	SF44A06B0	SF44A06C0	SF44A06G0	SF44A06D0	SF44A06E0	FM04M0600D*	PRT54	PRT124	1668	65 11/16	BUS09	6900000013
1750	-	SF44A07B0	SF44A07C0	SF44A07G0	SF44A07D0	SF44A07E0	FM04M0700D*	PRT55	PRT125	1905	75	BUS09	6900000013
2000	-	SF44A08B0	SF44A08C0	SF44A08G0	SF44A08D0	SF44A08E0	FM04M0800D*	PRT56	PRT126	2128	83 13/16	BUS09	6900000013
2250	-	SF44A09B0	SF44A09C0	SF44A09G0	SF44A09D0	SF44A09E0	FM04M0900D*	PRT57	PRT127	2353	92 5/8	BUS09	6900000013
2500	-	SF44A10B0	SF44A10C0	SF44A10G0	SF44A10D0	SF44A10E0	FM04M1000D*	PRT58	PRT128	2585	101 13/16	BUS09	6900000013

V1\*\* = plinthe fabriquée avant juin 2012 / V1\*\* = baseboard manufactured before June 2012.

V2\*\* = plinthe fabriquée après juin 2012 / V2\*\* = baseboard manufactured after June 2012.