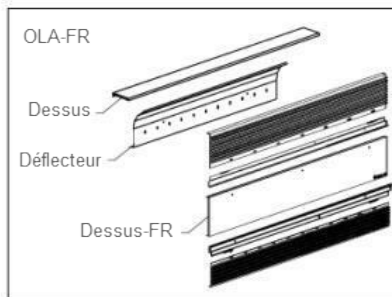
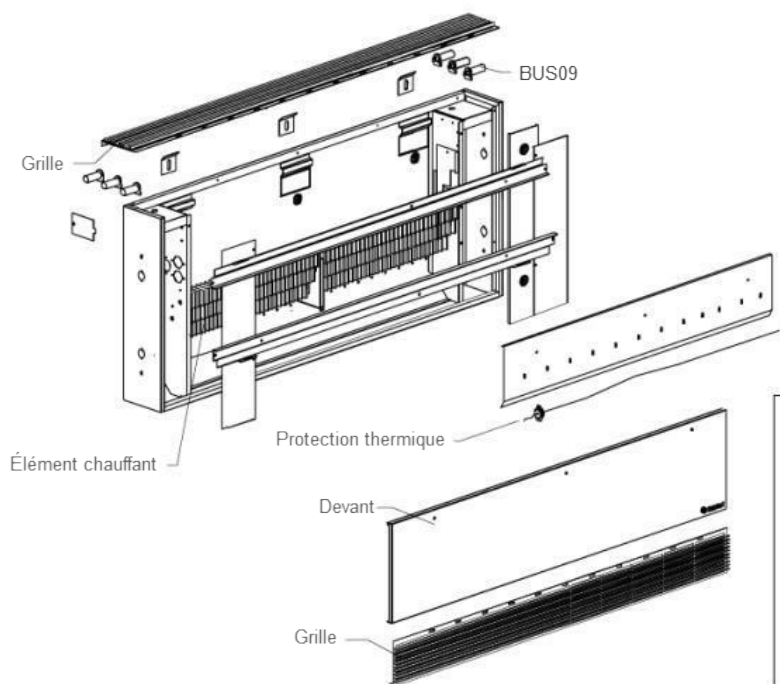
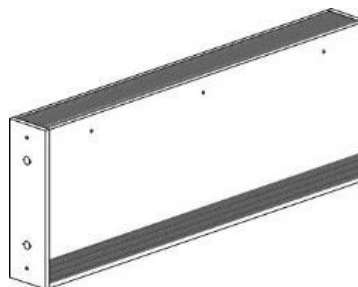


série OLA

Convecteur architectural haute densité



Watts	Sortie d'air avant <i>Front air outlet</i>		Sortie d'air dessus <i>Top air outlet</i>	Grille
	Dessus <i>Top</i>	Devant-FR <i>Front-FR</i>	Devant <i>Front</i>	
2000	PA22D0400D*	LA18A0800D*	LA17A0800D*	PA10A0400D*
3000	PA22D0600D*	LA18A1100D*	LA17A1100D*	PA10A0600D*
4000	PA22D0800D*	LA18A1200D*	LA17A1200D*	PA10A0800D*
5000	PA22D1000D*	LA18A1400D*	LA17A1400D*	PA10A1000D*
6000	PA22D1100D*	LA18A1500D*	LA17A1500D*	PA10A1100D*

Watts	Élément chauffant						Protection thermique <i>Hi-limit</i>	Longueur du produit <i>Product length</i>	
	208V	208V 3ph	240V	347V	600V	600V 3ph		m m	po/in.
2000	4001000096	4001000096	4001000084	4001000262	4001000096	4001000262	PRT27	690	27 3/16
3000	4001000198	4001000198	4001000085	4001000529	4001000261	4001000261	PRT28	944	37 3/16
4000	4001000187	4001000187	4001000086	4001000530	4001000533	4001000533	PRT29	1198	47 3/16
5000	4001000526	4001000526	4001000528	4001000189	4001000534	4001000534	PRT30	1452	57 3/16
6000	4001000527	4001000527	4001000436	4001000531	4001000099	4001000099	PRT31	1655	65 3/16