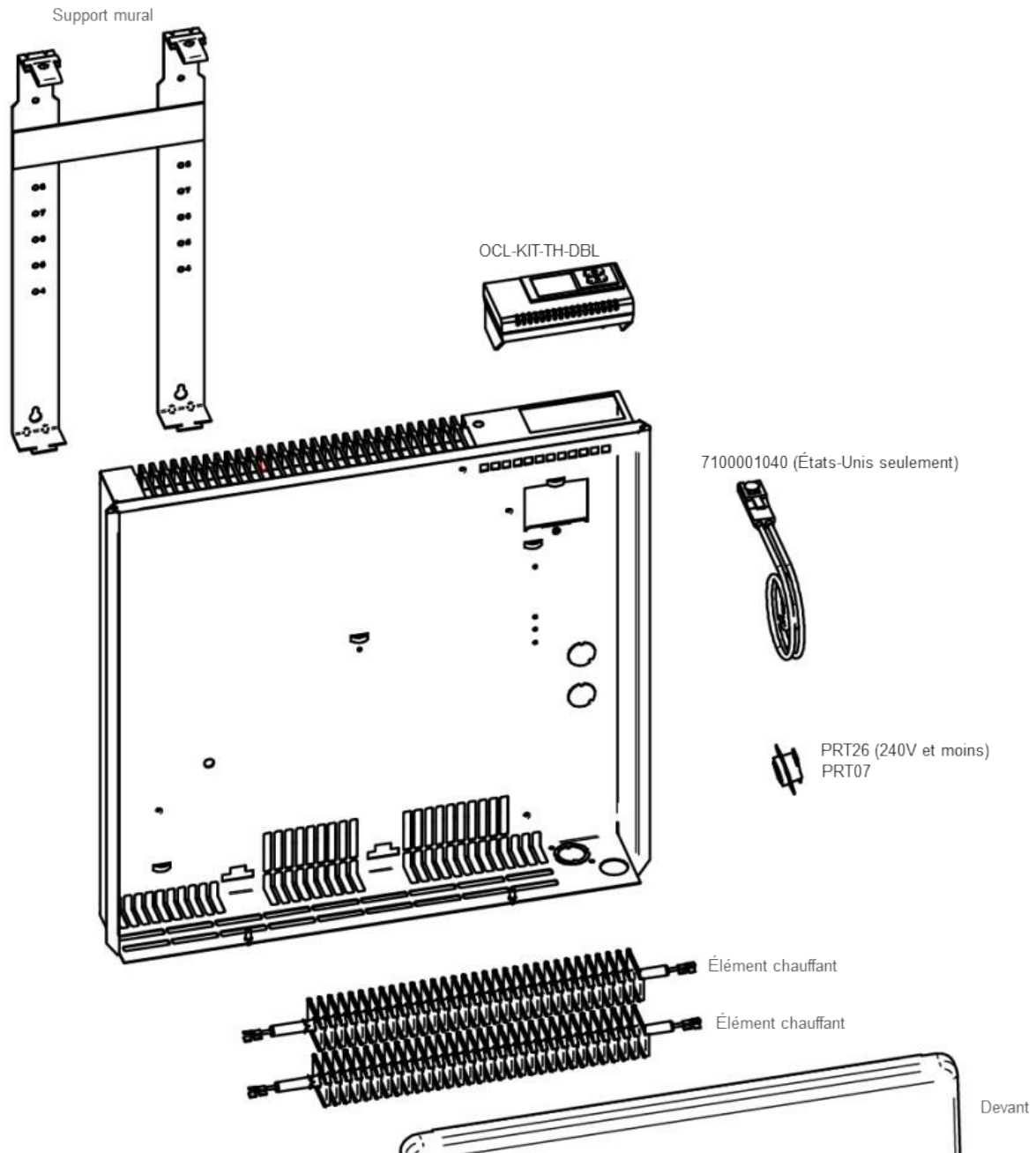


série OCL

Convecteur standard





Watts	Élément chauffant Heating element							Devant Front	Support mural Wall bracket
	120V	208V	240V	277V	347V	480V	600V		
500	4001000697	4001000700	4001000493	4001000704	4001000693	-	-	2251019500DS*	2401067000
1000	4001000698	4001000701	4001000494	4001000705	4001000694	4001000708	4001000711	2251019501DS*	2401067001
1500	4001000699	4001000702	4001000495	4001000706	4001000695	4001000709	4001000712	2251019502DS*	2401067002
2000	-	4001000703	4001000496	4001000707	4001000696	4001000710	4001000713	2251019503DS*	2401067003