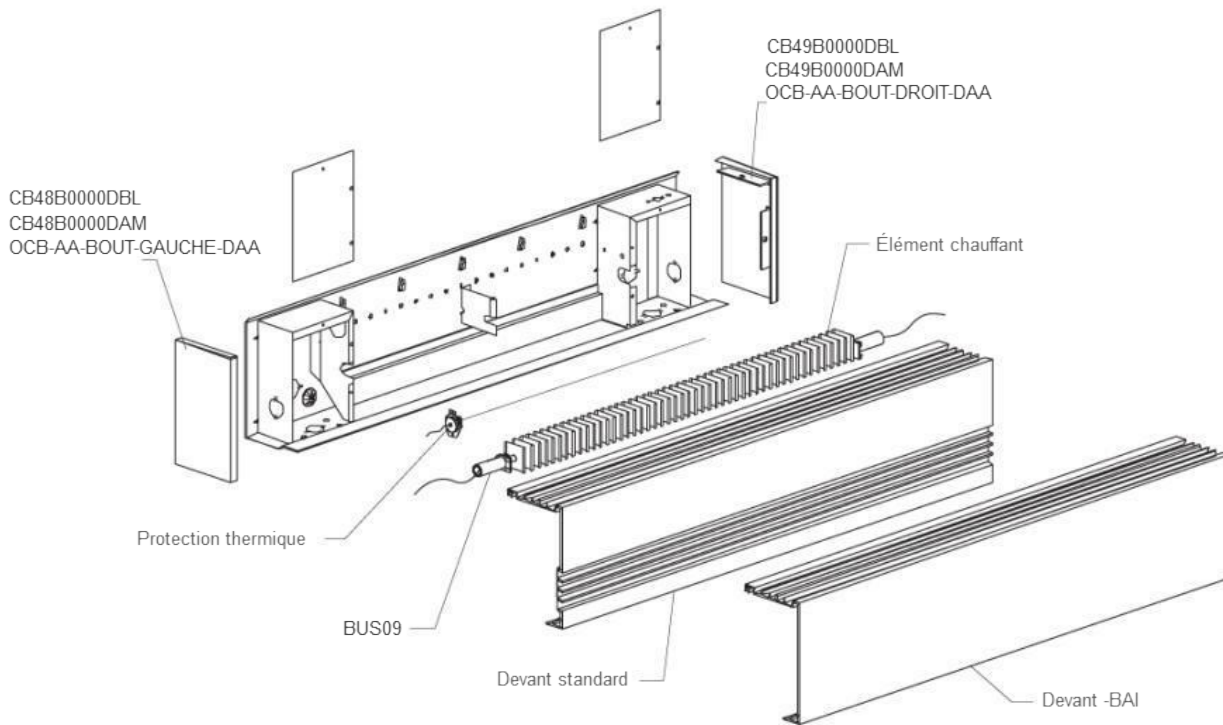
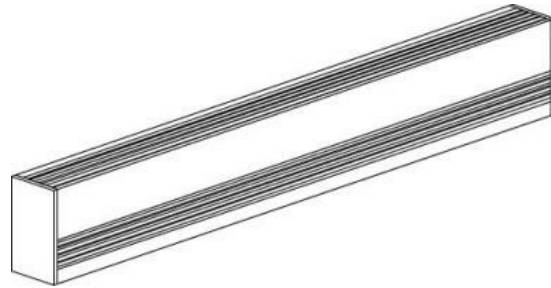


# série OCB

Plinthe coupe-brise en aluminium



| Watts | Élément chauffant<br>Heating element |           |           |           |           | Devant<br>Front |             | Protection thermique<br>Hi-limit | Longueur de produit<br>Product length |          |
|-------|--------------------------------------|-----------|-----------|-----------|-----------|-----------------|-------------|----------------------------------|---------------------------------------|----------|
|       | 120V                                 | 208V      | 240V      | 347V      | 600V      | Standard        | -BAI        |                                  | MM                                    | po/in.   |
| 500   | SF44A02A0                            | SF44A02B0 | SF44A02C0 | SF44A02D0 | -         | CB02A0200D*     | CB74B0200D* | PRT10                            | 711                                   | 28       |
| 750   | SF44A03A0                            | SF44A03B0 | SF44A03C0 | SF44A03D0 | SF44A03E0 | CB02A0300D*     | CB74B0300D* | PRT11                            | 965                                   | 38       |
| 1000  | SF44A04A0                            | SF44A04B0 | SF44A04C0 | SF44A04D0 | SF44A04E0 | CB02A0400D*     | CB74B0400D* | PRT12                            | 1224                                  | 48 3/16  |
| 1250  | SF44A05A0                            | SF44A05B0 | SF44A05C0 | SF44A05D0 | SF44A05E0 | CB02A0500D*     | CB74B0500D* | PRT13                            | 1465                                  | 57 11/16 |
| 1500  | SF44A06A0                            | SF44A06B0 | SF44A06C0 | SF44A06D0 | SF44A06E0 | CB02A0600D*     | CB74B0600D* | PRT14                            | 1687                                  | 66 7/16  |
| 1750  | -                                    | SF44A07B0 | SF44A07C0 | SF44A07D0 | SF44A07E0 | CB02A0700D*     | CB74B0700D* | PRT15                            | 1925                                  | 75 13/16 |
| 2000  | -                                    | SF44A08B0 | SF44A08C0 | SF44A08D0 | SF44A08E0 | CB02A0800D*     | CB74B0800D* | PRT16                            | 2148                                  | 84 9/16  |
| 2250  | -                                    | SF44A09B0 | SF44A09C0 | SF44A09D0 | SF44A09E0 | CB02A0900D*     | CB74B0900D* | PRT17                            | 2375                                  | 93 1/2   |
| 2500  | -                                    | SF44A10B0 | SF44A10C0 | SF44A10D0 | SF44A10E0 | CB02A1000D*     | CB74B1000D* | PRT18                            | 2606                                  | 102 5/8  |