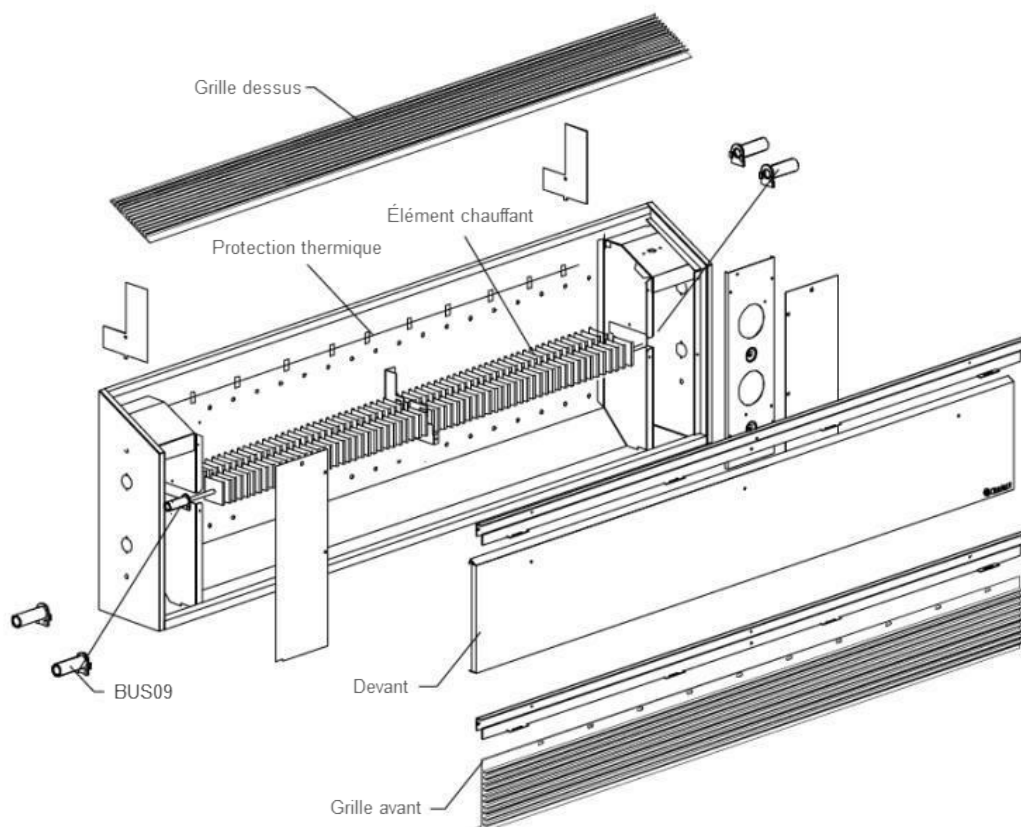
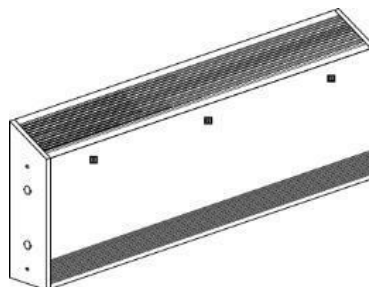


série OPI

Convecteur architectural à dessus incliné



Watts	Élément chauffant <i>Heating element</i>				Devant <i>Front</i>	Grille dessus <i>Top grille</i>	Grille avant <i>Front grille</i>	Protection thermique <i>Hi-limit</i>	Longueur du produit <i>Product length</i>	
	208V	240V	347V	600V					m m	po/in.
1000	SF44A02B0	SF44A02C0	SF44A02D0	4001000262	PI02A0400D*	PI08A0400D*	PA10A0400D*	PRT10	690	27 3/16
1500	SF44A03B0	SF44A03C0	SF44A03D0	SF44A03E0	PI02A0600D*	PI08A0600D*	PA10A0600D*	PRT11	944	37 3/16
2000	SF44A04B0	SF44A04C0	SF44A04D0	SF44A04E0	PI02A0800D*	PI08A0800D*	PA10A0800D*	PRT12	1198	47 3/16
2500	SF44A05B0	SF44A05C0	SF44A05D0	SF44A05E0	PI02A1000D*	PI08A1000D*	PA10A1000D*	PRT13	1452	57 3/16
3000	SF44A06B0	SF44A06C0	SF44A06D0	SF44A06E0	PI02A1100D*	PI08A1100D*	PA10A1100D*	PRT14	1655	65 3/16
3500	SF44A07B0	SF44A07C0	SF44A07D0	SF44A07E0	PI02A9900D*	PI08A9900D*	PA10A9900D*	PRT15	1909	75 3/16
4000	SF44A08B0	SF44A08C0	SF44A08D0	SF44A08E0	PI02A1200D*	PI08A1200D*	PA10A1200D*	PRT16	2112	83 1/8