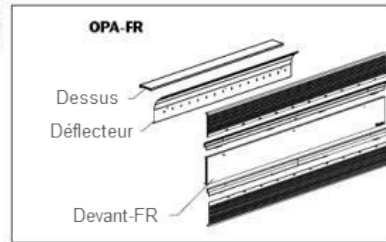
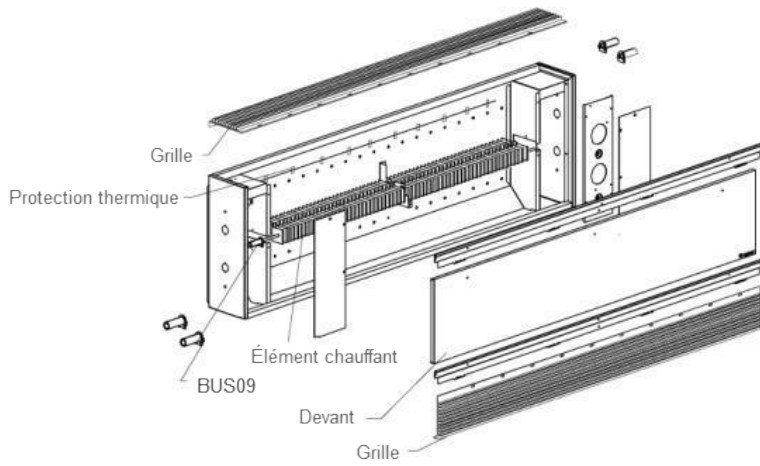
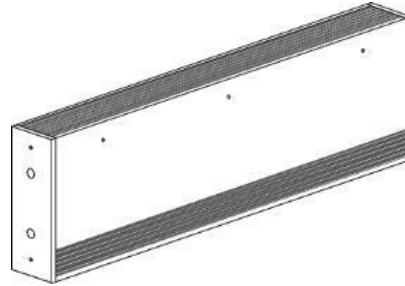


série **OPA**
Convecteur architectural



Watts	Sortie d'air avant <i>Front air outlet</i>		Sortie d'air dessus <i>Top air outlet</i>	Grille
	Devant-FR <i>Front-FR</i>	Dessus-FR <i>Top-FR</i>		
1000	PA98A0400D*	PA22D0400D*	PA02A0400D*	PA10A0400D*
1500	PA98A0600D*	PA22D0600D*	PA02A0600D*	PA10A0600D*
2000	PA98A0800D*	PA22D0800D*	PA02A0800D*	PA10A0800D*
2500	PA98A1000D*	PA22D1000D*	PA02A1000D*	PA10A1000D*
3000	PA98A1100D*	PA22D1100D*	PA02A1100D*	PA10A1100D*
3500	PA98A9900D*	PA22D9900D*	PA02A9900D*	PA10A9900D*
4000	PA98A1200D*	PA22D1200D*	PA02A1200D*	PA10A1200D*

Watts	Élément chauffant <i>Heating element</i>				Protection thermique <i>Hi-limit</i>	Longueur du produit <i>Product length</i>	
	208V	240V	347V	600V		m m	po/in.
1000	SF44A02B0	SF44A02C0	SF44A02D0	4001000262	PRT10	690	27 3/16
1500	SF44A03B0	SF44A03C0	SF44A03D0	SF44A03E0	PRT11	944	37 3/16
2000	SF44A04B0	SF44A04C0	SF44A04D0	SF44A04E0	PRT12	1198	47 3/16
2500	SF44A05B0	SF44A05C0	SF44A05D0	SF44A05E0	PRT13	1452	57 3/16
3000	SF44A06B0	SF44A06C0	SF44A06D0	SF44A06E0	PRT14	1655	65 3/16
3500	SF44A07B0	SF44A07C0	SF44A07D0	SF44A07E0	PRT15	1909	75 3/16
4000	SF44A08B0	SF44A08C0	SF44A08D0	SF44A08E0	PRT16	2112	83 1/8