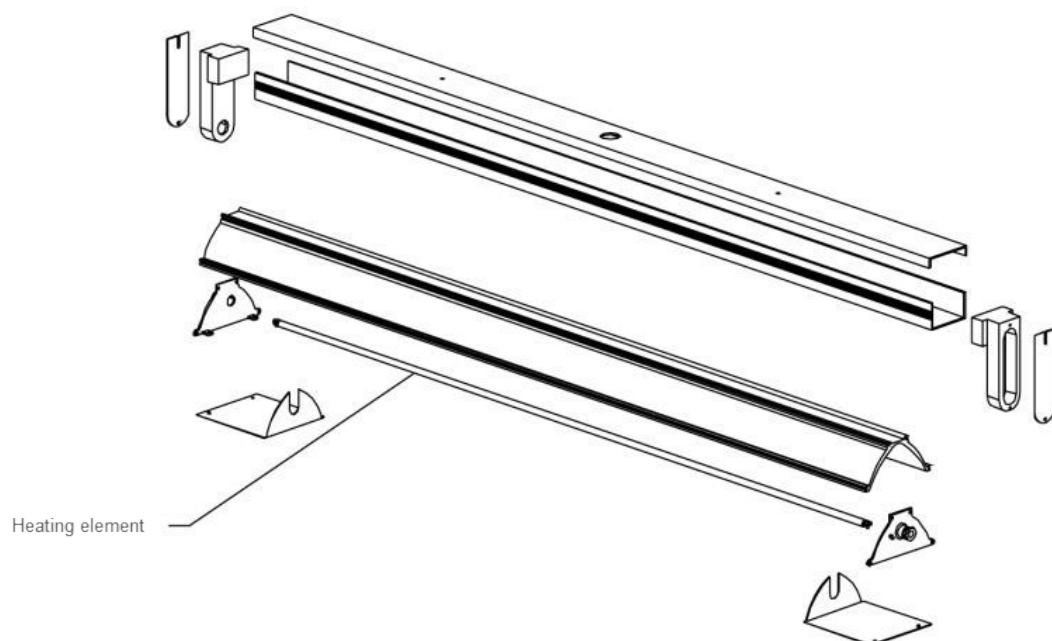
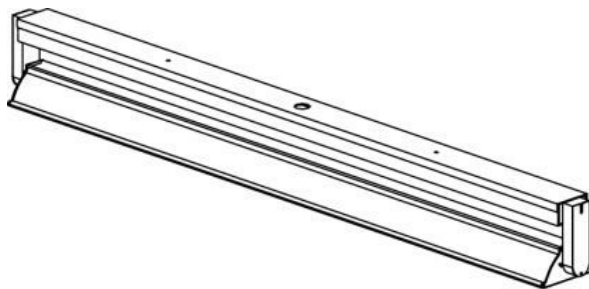


# OKB *series*

Infrared Radiant Heater



**Élément tubulaire en acier inoxydable «Incoloy» / Incoloy stainless steel tubular element**

| Watts | Volts    |          |          |          |
|-------|----------|----------|----------|----------|
|       | 120V     | 208V     | 240V     | 600V     |
| 950   | OX-95P1B | OX-95P3B | OX-95P2B | -        |
| 1500  | OX1-5P1D | OX1-5P3D | OX1-5P2D | -        |
| 1900  | OX1-9P1E | OX1-9P3E | OX1-9P2E | -        |
| 2000  | -        | OX2-0N3D | OX2-0N2D | OX2-0N5D |
| 2300  | -        | OX2-3N3E | OX2-3N2E | OX2-3N5E |
| 3000  | -        | OX3-0N3F | OX3-0N2F | OX3-0N5F |
| 3800  | -        | OX3-8N3G | OX3-8N2G | OX3-8N5G |

**Élément au quartz / Quartz element**

| Watts | Volts    |          |          |          |
|-------|----------|----------|----------|----------|
|       | 120V     | 208V     | 240V     | 600V     |
| 800   | QT-8A1M  | QT-8A3M  | QT-8A2M  | -        |
| 1600  | QT1-6A1R | QT1-6A3R | QT1-6A2R | -        |
| 2500  | -        | QT2-5A3T | QT2-5A2T | QT2-5A5T |
| 3100  | -        | QT3-1A3U | QT3-1A2U | QT3-1A5U |