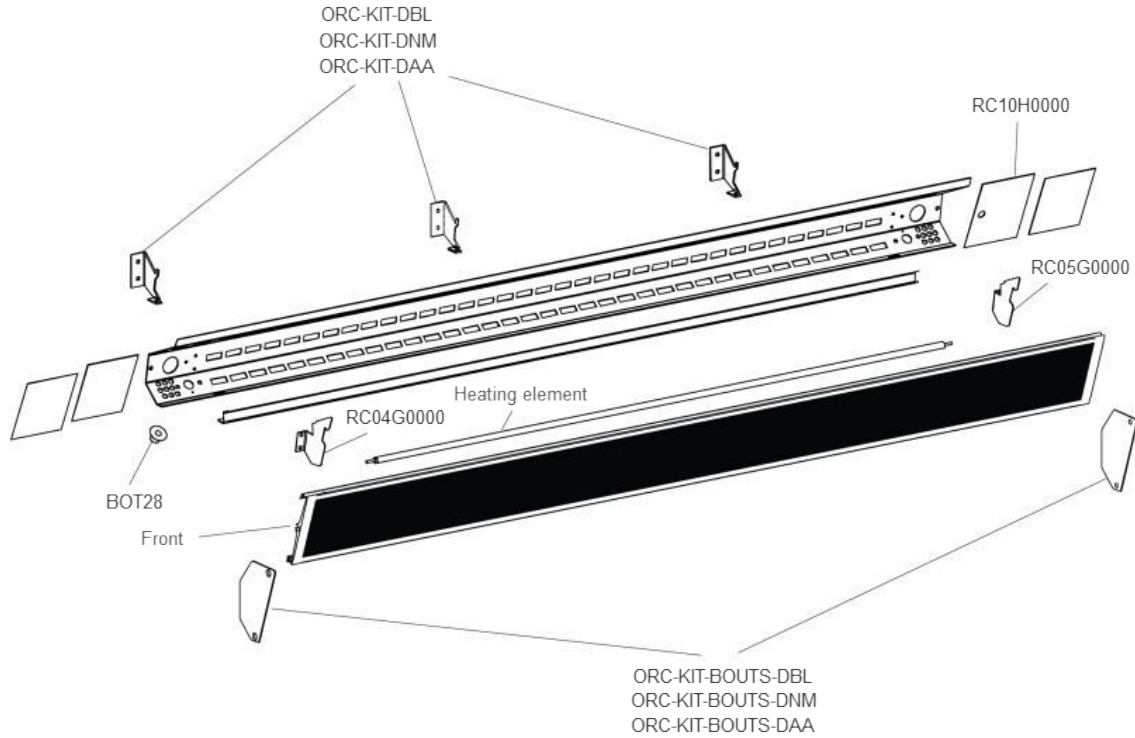
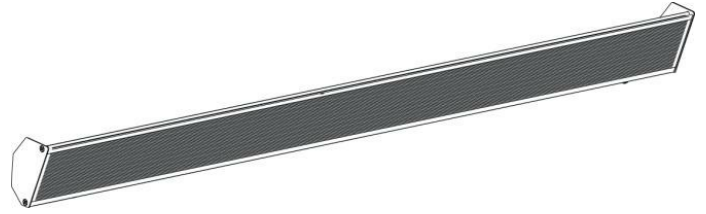


ORC *series*

Radiant Cove Heater



Watts	Élément chauffant Heating element						Devant Front	Longueur du produit Product length	
	120V	208V	240V	277V	347V	600V		po/in.	m m
390	4001000963	4001000964	4001000965	4001000966	-	-	RC02N3300D*	34	864
450	4001000900	4001000907	4001000914	4001000921	4001000928	-	RC02N3300D*	34	864
600	4001000928	4001000908	4001000915	4001000922	4001000929	-	RC02N2900D*	47	1194
750	4001000902	4001000909	4001000916	4001000923	4001000930	4001000941	RC02N0300D*	59	1499
900	4001000903	4001000910	4001000917	4001000924	4001000931	4001000942	RC02N3400D*	71	1803
1050	4001000904	4001000911	4001000918	4001000925	4001000932	4001000943	RC02N5800D*	83	2108
1200	4001000905	4001000912	4001000919	4001000926	4001000933	4001000944	RC02N8100D*	94	2388
1500	4001000906	4001000913	4001000920	4001000927	4001000934	4001000945	RC02N0600D*	113	2870