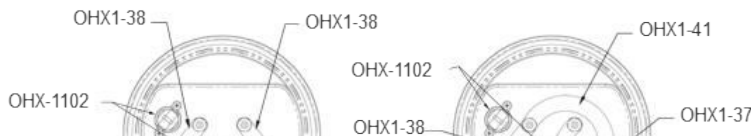
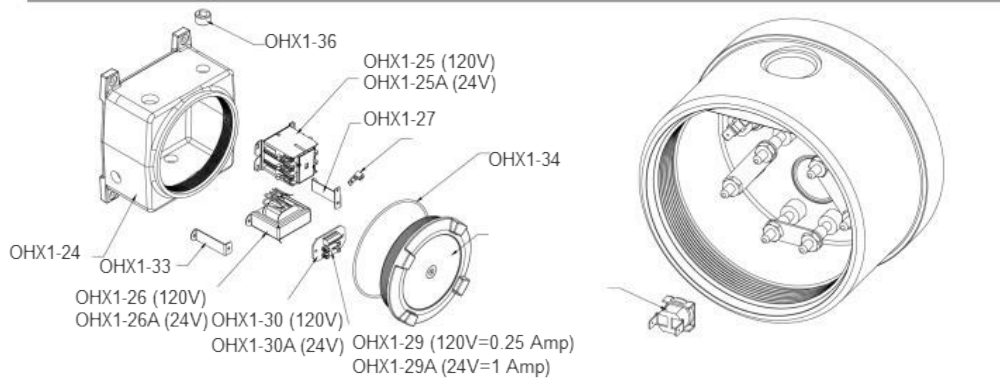
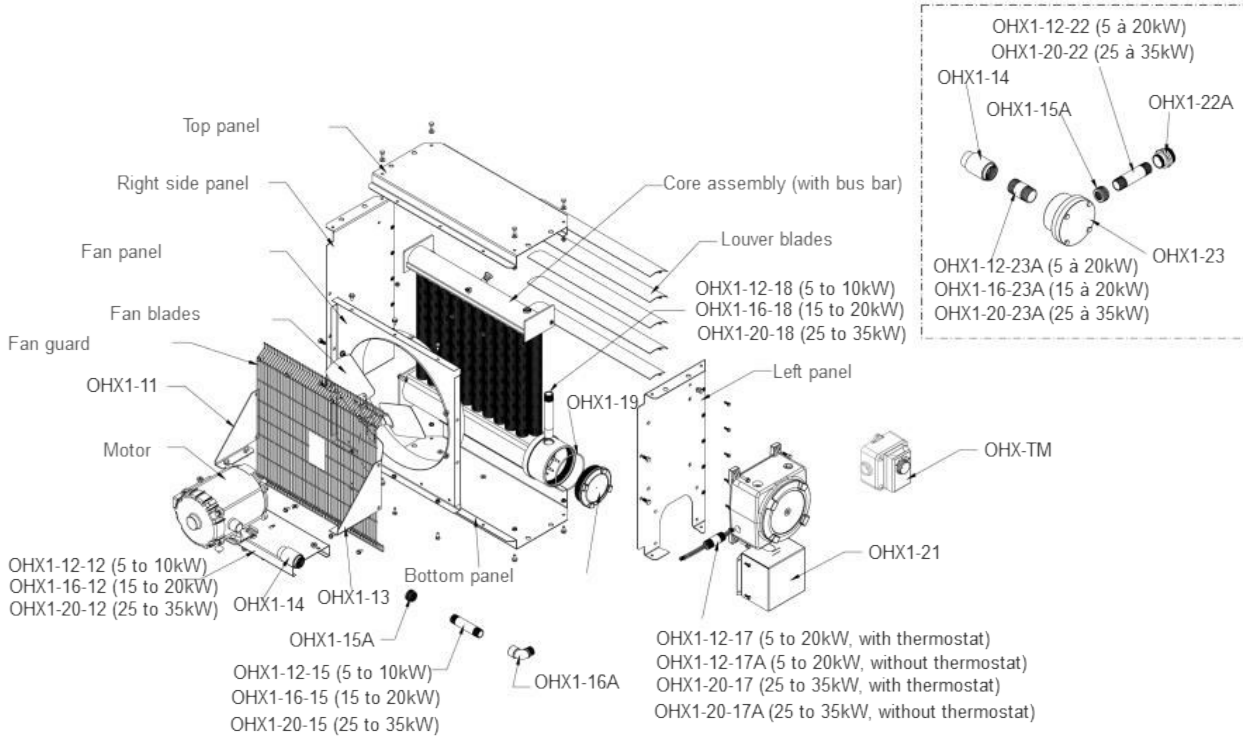
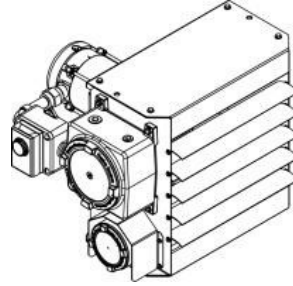
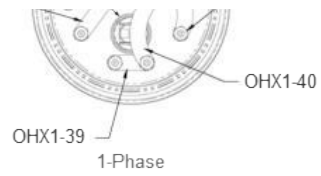


OHX series

Explosion-Proof Unit Heater





Watts	Faisceau (avec barres omnibus) Core assembly (with bus bars)	Panneau du bas Bottom panel	Panneau de gauche Left side panel	Volets Louver blades	Panneau du haut Top pannel	Panneau de droite Right side panel	Panneau du ventilateur Fan panel	Pales du ventilateur Fan blades	Grillage de protection Fan guard
5000	Contacter le support technique / Contact technical support	OHX1-12-2	OHX1-12-3	OHX1-12-4	OHX1-12-5	OHX1-12-6	OHX1-12-7	OHX-12-050	OHX1-12-9
7500								OHX-12-075	
10000								OHX-12-100	
15000		OHX1-16-2	OHX1-16-3	OHX1-16-4	OHX1-16-5	OHX1-16-6	OHX1-16-7	OHX-16-150	OHX1-16-9
20000								OHX-16-200	
25000		OHX1-20-2	OHX1-20-3	OHX1-20-4	OHX1-20-5	OHX1-20-6	OHX1-20-7	OHX-20-250	OHX1-20-9
30000								OHX-20-300	
35000								OHX-20-300	

Watts	Volts (ph)	Moteur Motor
5000	208 (1)	OHX-G639
	208 (3)	OHX-G646
	240 (1)	OHX-G639
	240 (3)	OHX-G646
	480 (3)	OHX-G646
	600 (3)	OHX-G664
7500	208 (1)	OHX-G639
	208 (3)	OHX-G646
	240 (1)	OHX-G639
	240 (3)	OHX-G646
	480 (3)	OHX-G646
	600 (3)	OHX-G664
10000	208 (3)	OHX-G646
	240 (1)	OHX-G639
	240 (3)	OHX-G646
	480 (3)	OHX-G646
	600 (3)	OHX-G664
15000	208 (3)	OHX-G646
	240 (3)	OHX-G646
	480 (3)	OHX-G646
	600 (3)	OHX-G664
20000	480 (3)	OHX-G646
	600 (3)	OHX-G664
25000	480 (3)	OHX-G649
	600 (3)	OHX-G666
30000	480 (3)	OHX-G649
	600 (3)	OHX-G666
35000	480 (3)	OHX-G649
	600 (3)	OHX-G666