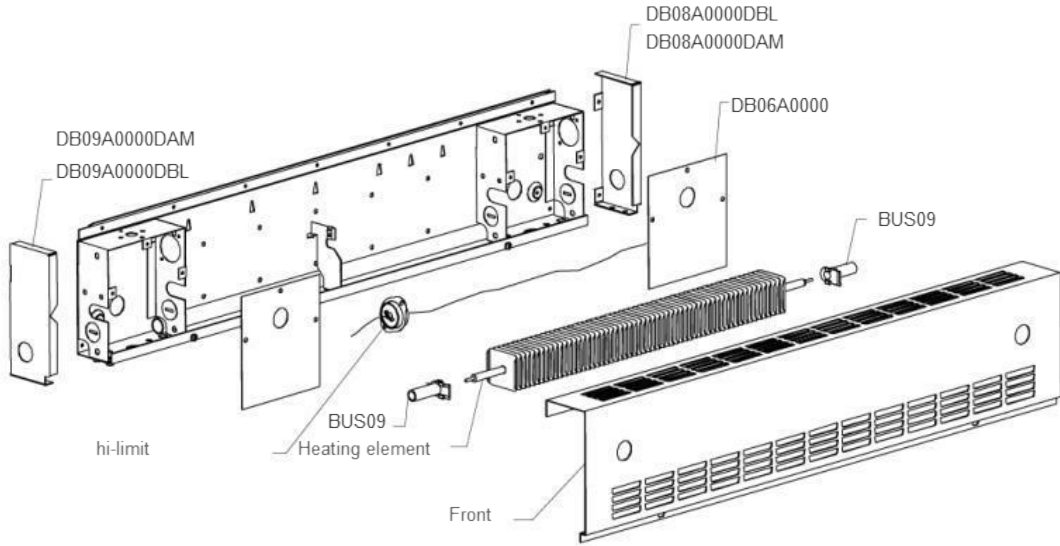
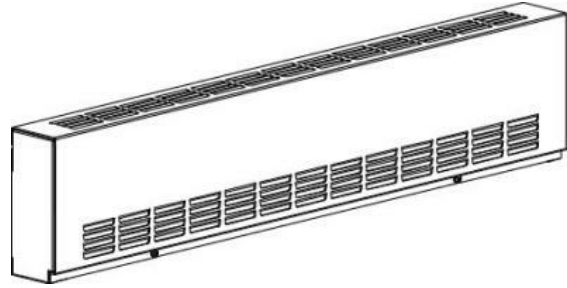


ODBA *series*

Heavy-Duty Steel Draft Barrier



| Watts | Élément chauffant <i>Heating element</i> | | | | | Devant <i>Front</i> | | Protection thermique <i>Hi-limit</i> | Longueur du produit <i>Product length</i> | |
|-------|---|-----------|-----------|-----------|-----------|---|--|---|--|------------------|
| | 120V | 208V | 240V | 347V | 600V | Avant 16 juin 2012 <i>Before June 16, 2012</i> | Après 16 juin 2012 <i>After June 16, 2012</i> | | m m | po <i>in.</i> |
| | 500 | SF44A02A0 | SF44A02B0 | SF44A02C0 | SF44A02D0 | - | DB07A0200D* | | DB124D0200D* | PRT50 |
| 750 | SF44A03A0 | SF44A03B0 | SF44A03C0 | SF44A03D0 | SF44A03E0 | DB07A0300D* | DB124D0300D* | PRT51 | 985 | 38 13/16 |
| 1000 | SF44A04A0 | SF44A04B0 | SF44A04C0 | SF44A04D0 | SF44A04E0 | DB07A0400D* | DB124D0400D* | PRT52 | 1246 | 49 1/16 |
| 1250 | SF44A05A0 | SF44A05B0 | SF44A05C0 | SF44A05D0 | SF44A05E0 | DB07A0500D* | DB124D0500D* | PRT53 | 1487 | 58 9/16 |
| 1500 | SF44A06A0 | SF44A06B0 | SF44A06C0 | SF44A06D0 | SF44A06E0 | DB07A0600D* | DB124D0600D* | PRT54 | 1708 | 67 1/4 |
| 1750 | - | SF44A07B0 | SF44A07C0 | SF44A07D0 | SF44A07E0 | DB07A0700D* | DB124D0700D* | PRT55 | 1945 | 76 9/16 |
| 2000 | - | SF44A08B0 | SF44A08C0 | SF44A08D0 | SF44A08E0 | DB07A0800D* | DB124D0800D* | PRT56 | 2168 | 85 3/8 |
| 2250 | - | SF44A09B0 | SF44A09C0 | SF44A09D0 | SF44A09E0 | DB07A0900D* | DB124D0900D* | PRT57 | 2393 | 94 3/16 |
| 2500 | - | SF44A10B0 | SF44A10C0 | SF44A10D0 | SF44A10E0 | DB07A1000D* | DB124D1000D* | PRT58 | 2625 | 103 3/8 |