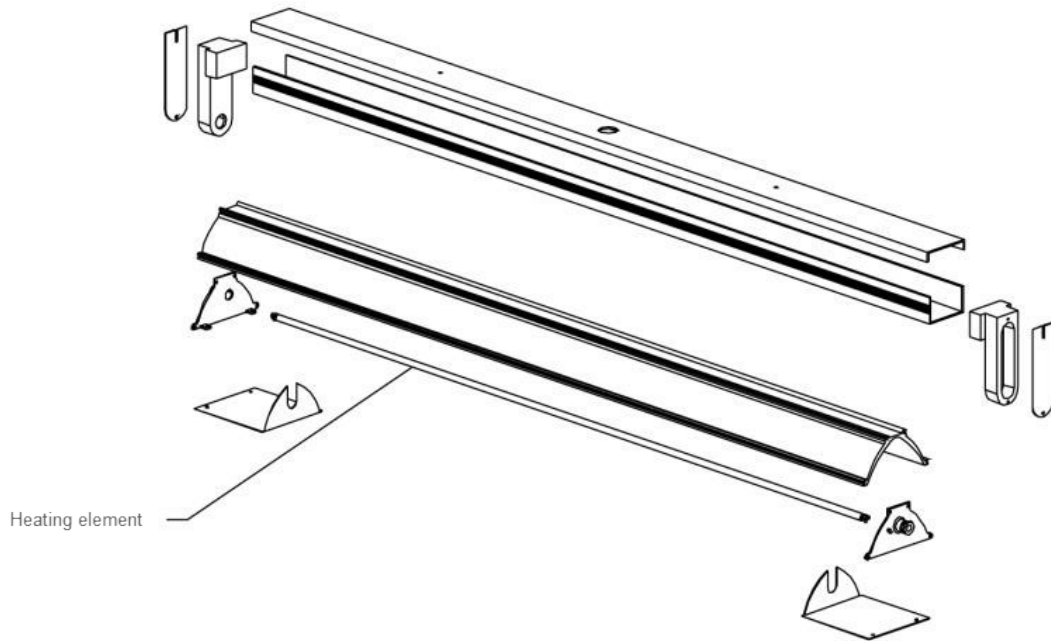
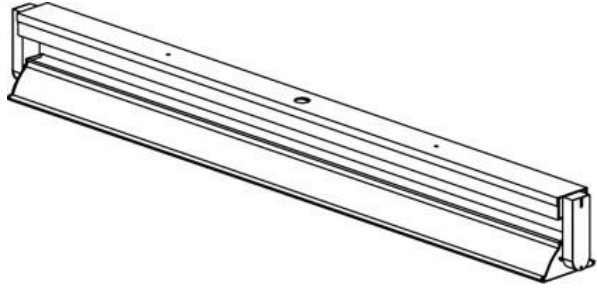


OKB *series*

Infrared Radiant Heater



Élément tubulaire en acier inoxydable «Incoloy» / Incoloy stainless steel tubular element

Watts	Volts			
	120V	208V	240V	600V
950	OX-95P1B	OX-95P3B	OX-95P2B	-
1500	OX1-5P1D	OX1-5P3D	OX1-5P2D	-
1900	OX1-9P1E	OX1-9P3E	OX1-9P2E	-
2000	-	OX2-0N3D	OX2-0N2D	OX2-0N5D
2300	-	OX2-3N3E	OX2-3N2E	OX2-3N5E
3000	-	OX3-0N3F	OX3-0N2F	OX3-0N5F
3800	-	OX3-8N3G	OX3-8N2G	OX3-8N5G

Élément au quartz / Quartz element

Watts	Volts			
	120V	208V	240V	600V
800	QT-8A1M	QT-8A3M	QT-8A2M	-
1600	QT1-6A1R	QT1-6A3R	QT1-6A2R	-
2500	-	QT2-5A3T	QT2-5A2T	QT2-5A5T
3100	-	QT3-1A3U	QT3-1A2U	QT3-1A5U