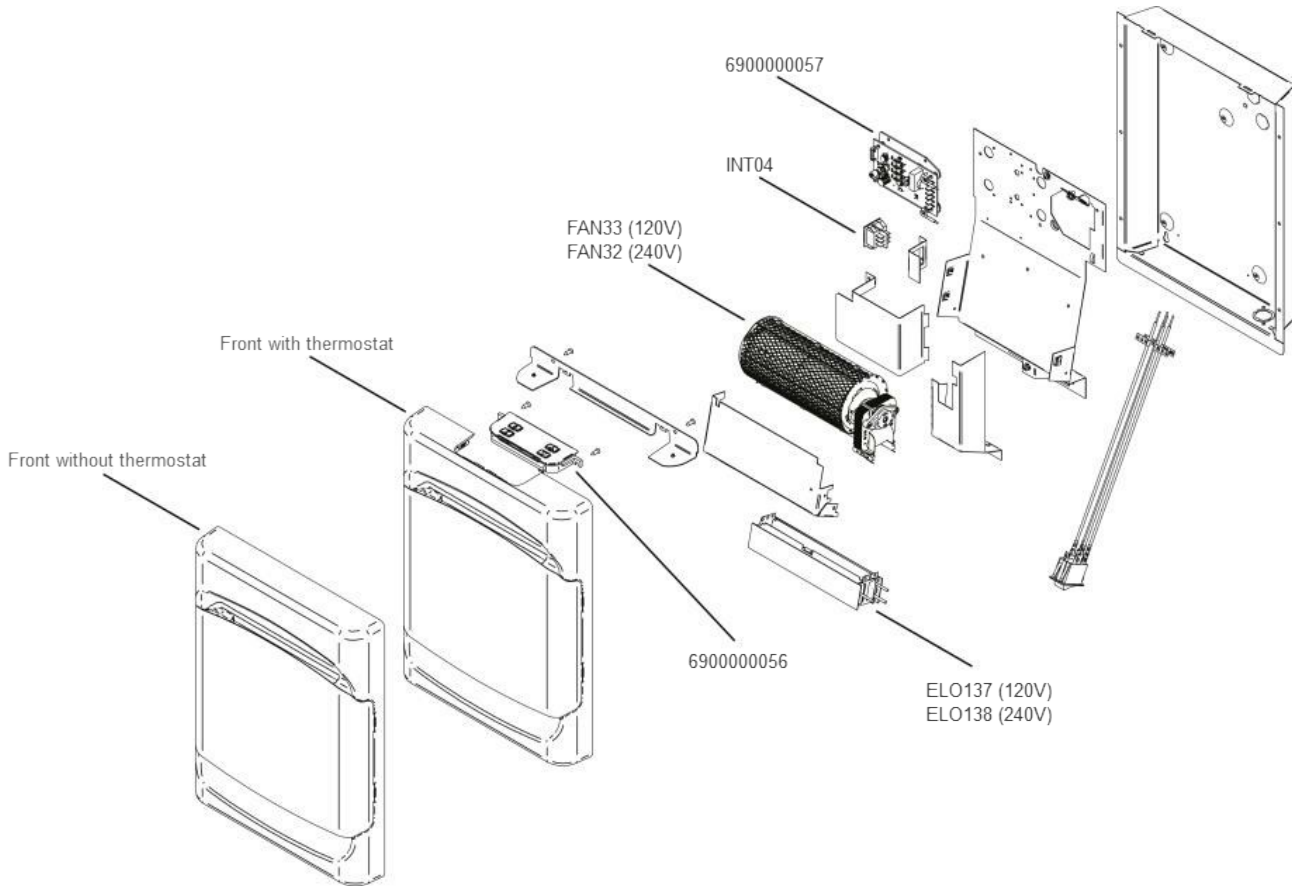


# OVC *series*

Compact Electronic Fan Heater



**Trousse de remplacement de devant (Livré avec thermostat) / Front replacement kit (Delivered with thermostat)**

<b>Modèle</b> <i>Model</i>	<b>Devant</b> <i>Front</i>
OVC1500XX-TH	6900000058DS*
OVC1500XX-DIS-TH	6900000066DS*

**Trousse de remplacement de devant sans thermostat / Front replacement kit without thermostat**

<b>Modèle</b> <i>Model</i>	<b>Devant</b> <i>Front</i>
OVC1500XX-PW	6900000055DS*
OVC1500XX-DIS-PW	6900000067DS*
OVC1500XX-PW-R	6900000068DS*
OVC1500XX-PW-RT	6900000069DS*
OVC1500XX-PW-TRIAC	6900000070DS*
OVC1500XX-PW-TRIACT	6900000071DS*
OVC1500XX-DIS-PW-R	6900000072DS*
OVC1500XX-DIS-PW-RT	6900000073DS*
OVC1500XX-DIS-PW-TRIAC	6900000074DS*
OVC1500XX-DIS-PW-TRIACT	6900000075DS*