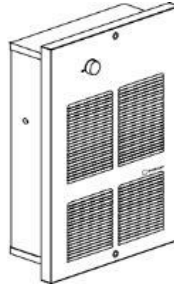


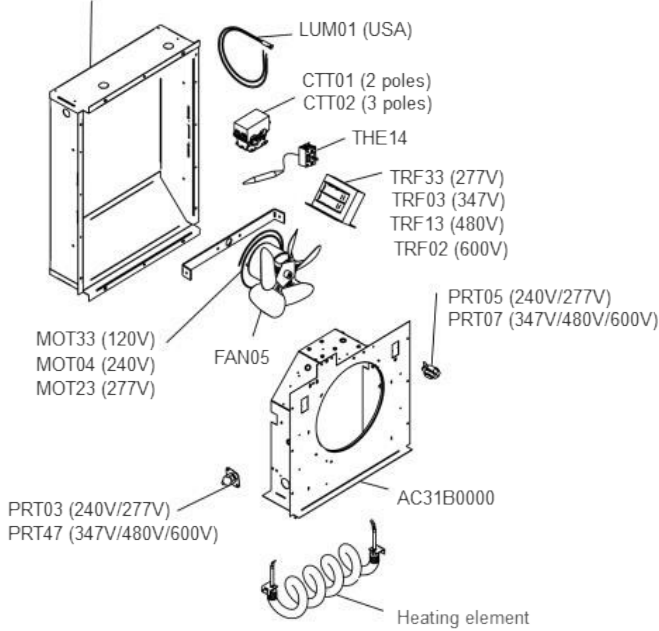
# OAC series

Commercial Wall Heater



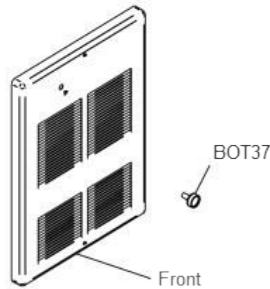
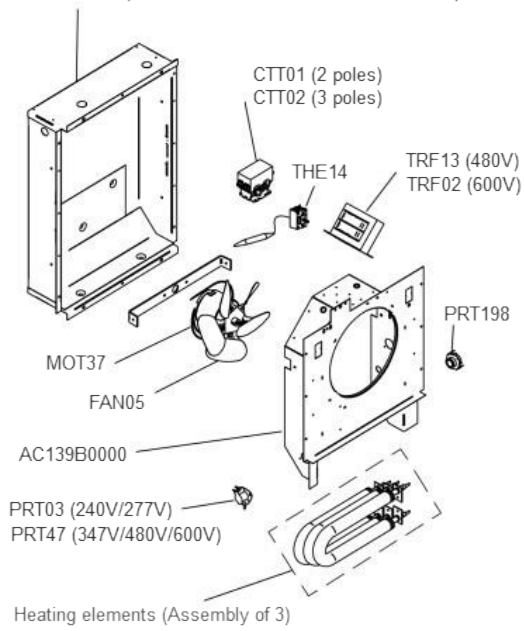
## 1-phase Unit

- AC35B0000 (1500W/1PH to 4800W/1PH)
- 6900000011 (6000W/1PH to 8000W/1PH)
- AC53J0000 (9000W to 12000W)



## 3-phase Unit

- AC140B0000 (3000W/3PH à 5000W/3PH, single unit)
- AC142B0000 (6000W/3PH to 8000W/3PH, double unit)



Amp	Fusible Fuse	Porte fusible Fuse holder	
		Avant le 14 août 2013 Before August 14, 2013	After le 14 août 2013 After August 14, 2013
15	FUS02	FUS03	FUS07
30	FUS09	FUS07	FUS07

Unité Unit	Devant Front
Simple / Single	AC07B0000DS*
Simple / Single 4800W-5000W	AC29B0000DS*
Double	AC11B0000DS*
Triple	AC14B0000DS*

\* Couleurs sur mesure disponibles sur demande. / Custom colors available upon request.

\*\* 12000W/1PH et tous les modèles 3PH. / 12000W/1PH and all 3PH models.

Watts (PH)	Élément chauffant Heating element						
	120V	208V	240V	277V	347V	480V	600V
1500 (1)	ELO114	-	ELO71	ELU32	ELO66	ELU71	ELO67
2000 (1)	-	ELO72	ELO47	ELU20	ELO50	ELU24	ELO53
3000 (1)	-	-	ELO48	ELU21	ELO51	ELU25	ELO54
3000 (3)	-	4502500005	4502500008	-	-	4502500010	4502500013
4000 (1)	-	ELO46	ELO49	ELU22	ELO52	ELU26	ELO55
4000 (3)	-	4502500006	4502500005	-	-	4502500011	4502500014
4800 (1)	-	ELU30	ELU31	ELU33	ELO107	ELU58	ELO106
5000 (3)	-	4502500007	4502500009	-	-	4502500012	4502500015
6000 (1)	-	-	ELO48	ELU21	ELO51	ELU25	ELO54
6000 (3) unité triple / triple unit	-	ELO72	-	-	-	-	ELO53
6000 (3) unité double / double unit	-	4502500005	4502500008	-	-	4502500010	4502500013
8000 (1)	-	ELO46	ELO49	ELU22	ELO52	ELU26	ELO55
8000 (3) unité double / double unit	-	4502500006	4502500005	-	-	4502500011	4502500014
9000 (3)	-	ELO49	-	-	-	-	ELO54
12000 (1)	-	ELO46	ELO49	ELU22	ELO52	ELU26	ELO55
12000 (3)	-	ELO46	-	-	-	ELU26	ELO55