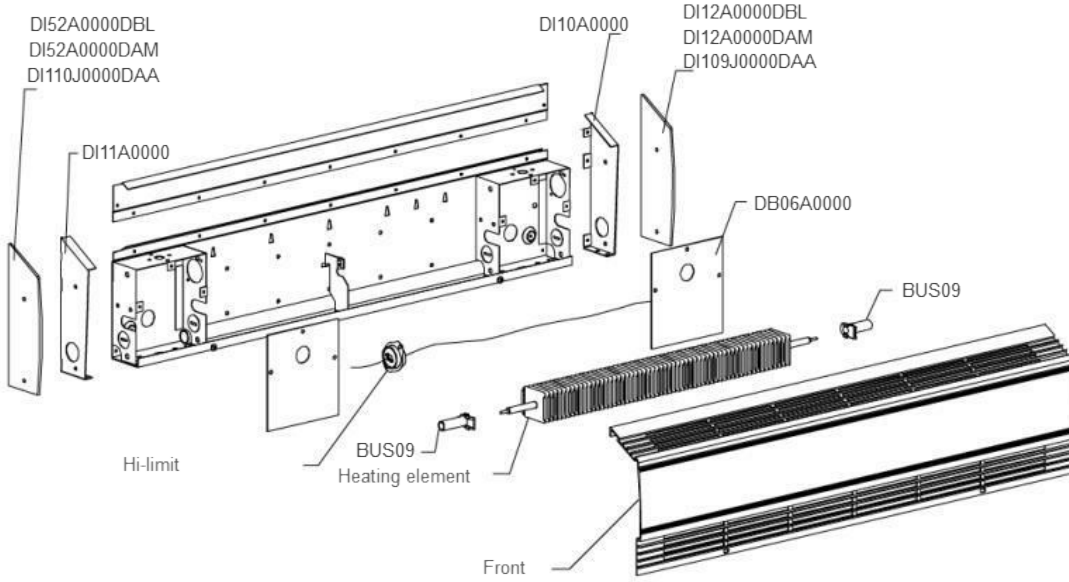
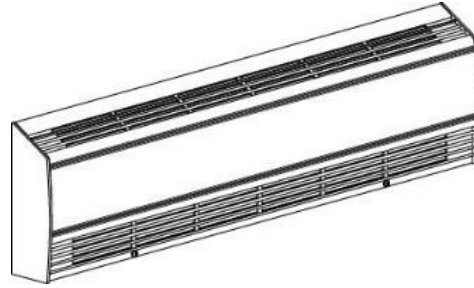


ODI series

Aluminum Sloped Top Draft Barrier



Watts	Élément chauffant <i>Heating element</i>					Devant <i>front</i>		Protection thermique <i>hi-limit</i>	Longueur du produit <i>product limit</i>	
	120V	208V	240V	347V	600V	Avant 16 juin 2012 <i>Before June 16, 2012</i>	Après 16 juin 2012 <i>After June 16, 2012</i>		m m	po/in.
500	SF44A02A0	SF44A02B0	SF44A02C0	SF44A02D0	-	DI02A0200D*	DI85N0200D*	PRT50	738	29 1/16
750	SF44A03A0	SF44A03B0	SF44A03C0	SF44A03D0	SF44A03E0	DI02A0300D*	DI85N0300D*	PRT51	992	39 1/16
1000	SF44A04A0	SF44A04B0	SF44A04C0	SF44A04D0	SF44A04E0	DI02A0400D*	DI85N0400D*	PRT52	1253	49 5/16
1250	SF44A05A0	SF44A05B0	SF44A05C0	SF44A05D0	SF44A05E0	DI02A0500D*	DI85N0500D*	PRT53	1494	58 13/16
1500	SF44A06A0	SF44A06B0	SF44A06C0	SF44A06D0	SF44A06E0	DI02A0600D*	DI85N0600D*	PRT54	1715	67 1/2
1750	-	SF44A07B0	SF44A07C0	SF44A07D0	SF44A07E0	DI02A0700D*	DI85N0700D*	PRT55	1952	76 7/8
2000	-	SF44A08B0	SF44A08C0	SF44A08D0	SF44A08E0	DI02A0800D*	DI85N0800D*	PRT56	2175	85 5/8
2250	-	SF44A09B0	SF44A09C0	SF44A09D0	SF44A09E0	DI02A0900D*	DI85N0900D*	PRT57	2400	94 1/2
2500	-	SF44A10B0	SF44A10C0	SF44A10D0	SF44A10E0	DI02A1000D*	DI85N1000D*	PRT58	2632	103 5/8