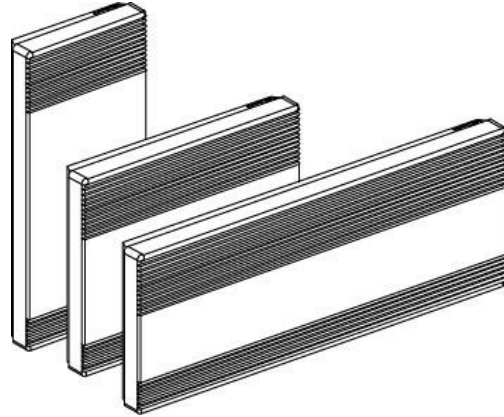


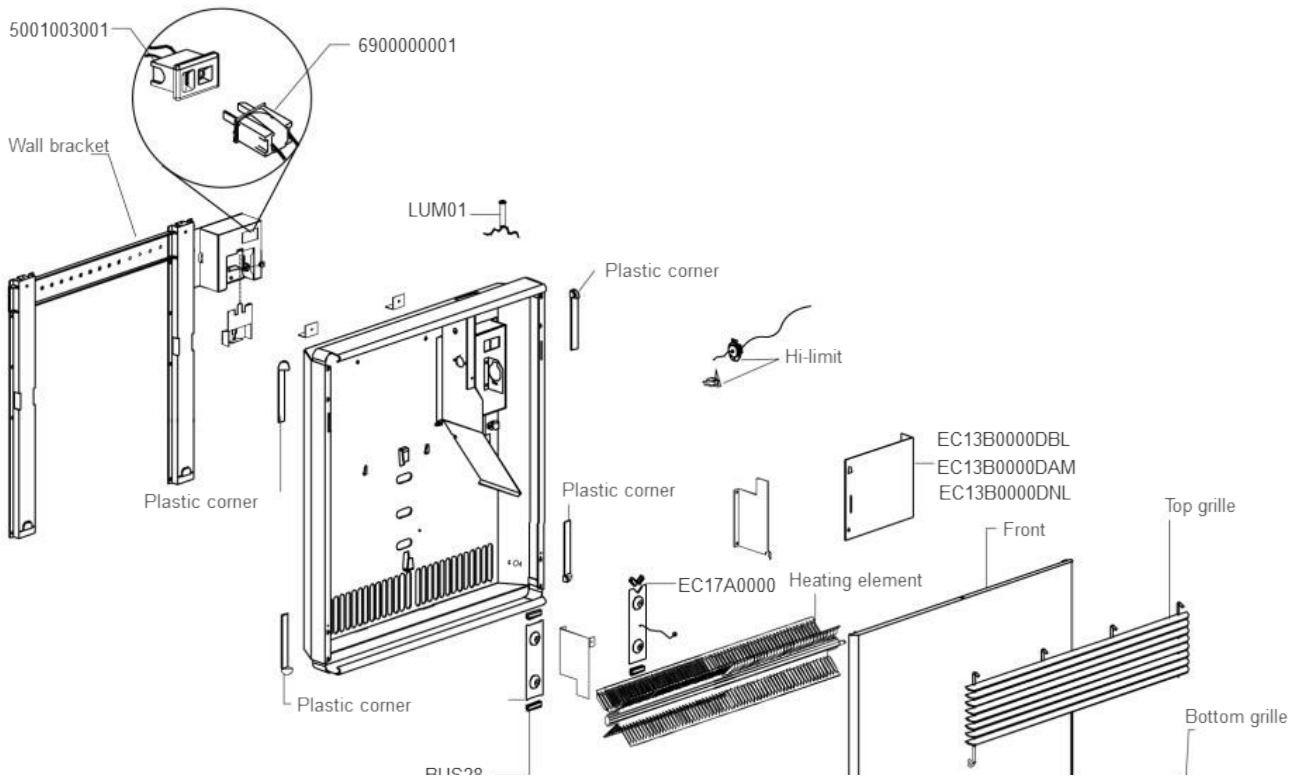
OCE series

European-Style Convector

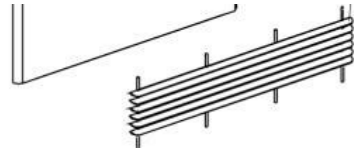


Thermostat intégré / Built-in thermostat

<p>Discontinued</p>	Blanc/White	OCEBMH-TH-DBL	Blanc/White
			OCEBMH-TH-DAM
			Noir/Black
			OCEBMH-TH-DNL



00320 —
(Indicate wanted length in ft.)



	Coin en plastique Plastic corner		
	Blanc White	Amande Almond	Noir Black
OCEH haut droit / OCEH top-right	BUS10	BUS29	BUS39
OCEH haut gauche / OCEH top-left	BUS11	BUS30	BUS40
OCEH bas droit / OCEH bottom-right	BUS12	BUS33	BUS45
OCEH bas gauche / OCEH bottom-left	BUS13	BUS34	BUS46
OCEBM bas droit / OCEBM bottom-right	BUS14	BUS31	BUS41
OCEBM bas gauche / OCEBM bottom-left	BUS15	BUS32	BUS42
OCEB haut gauche / OCEB top-left	BUS24	BUS35	BUS47
OCEB haut droit / OCEB top-right	BUS25	BUS36	BUS48
OCEM haut gauche / OCEM top-left	BUS26	BUS37	BUS43
OCEM haut droit / OCEM top-right	BUS27	BUS38	BUS44

OCEB - Hauteur : 14 po (356 mm) / Heater height: 14 in (356 mm)

Watts	Élément chauffant Heating element	Devant Front	Devant acier inoxydable Stainless steel front	Grille du haut Top grille	Grille du bas Bottom grille	Support mural Wall bracket	Protection thermique High-limit	Longueur du produit Product length	
								m m	po in
500	ELA88	EB02B0200DS*	EB52B0200	EB03B0200D*	EB07B0200D*	OCEB-SUPPORT-492	PRT27	492	19 7/16
750	ELA89	EB02B0300DS*	EB52B0300	EB03B0300D*	EB07B0300D*	OCEB-SUPPORT-584	PRT27	584	23
1000	ELA90	EB02B0400DS*	EB52B0400	EB03B0400D*	EB07B0400D*	OCEB-SUPPORT-674	PRT27	674	26 1/2
1250	ELA91	EB02B0500DS*	EB52B0500	EB03B0500D*	EB07B0500D*	OCEB-SUPPORT-862	PRT28	862	34
1500	ELA92	EB02B0600DS*	EB52B0600	EB03B0600D*	EB07B0600D*	OCEB-SUPPORT-924	PRT28	924	36 7/16
1750	ELA93	EB02B0700DS*	EB52B0700	EB03B0700D*	EB07B0700D*	OCEB-SUPPORT-1044	PRT29	1044	41 1/8
2000	ELA94	EB02B0800DS*	EB52B0800	EB03B0800D*	EB07B0800D*	OCEB-SUPPORT-1179	PRT29	1179	46 7/16
2500	ELA94 + ELA88	EB02B1000DS*	EB52B1000	EB03B1000D*	EB07AB1000D*	OCEB-SUPPORT-1579	PRT31	1579	62 1/4
3000	ELA94 + ELA90	EB02B1100DS*	EB52B1100	EB03B1100D*	EB07B1100D*	OCEB-SUPPORT-1760	PRT31	1760	69 5/16

OCEM - Hauteur : 18.5 po (470 mm) / Heater height: 18.5 in (470 mm)

Watts	Élément chauffant Heating element	Devant Front	Devant acier inoxydable Stainless steel front	Grille du haut Top grille	Grille du bas Bottom grille	Support mural Wall bracket	Protection thermique High-limit	Longueur du produit Product length	
								m m	po in
500	ELA79	EM02B0200DS*	EM52B0200	EM03B0200D*	EM07B0200D*	OCEM-SUPPORT-344	PRT37	344	13 1/2
750	ELA80	EM02B0300DS*	EM52B0300	EM03B0300D*	EM07B0300D*	OCEM-SUPPORT-418	PRT27	418	16 1/2
1000	ELA81	EM02B0400DS*	EM52B0400	EM03B0400D*	EM07B0400D*	OCEM-SUPPORT-492	PRT27	492	19 7/16
1250	ELA82	EM02B0500DS*	EM52B0500	EM03B0500D*	EM07B0500D*	OCEM-SUPPORT-584	PRT27	584	23
1500	ELA83	EM02B0600DS*	EM52B0600	EM03B0600D*	EM07B0600D*	OCEM-SUPPORT-674	PRT27	674	26 1/2
1750	ELA84	EM02B0700DS*	EM52B0700	EM03B0700D*	EM07B0700D*	OCEM-SUPPORT-769	PRT28	769	30 5/16
2000	ELA85	EM02B0800DS*	EM52B0800	EM03B0800D*	EM07B0800D*	OCEM-SUPPORT-862	PRT28	862	34
2500	ELA86	EM02B1000DS*	EM52B1000	EM03B1000D*	EM07B1000D*	OCEM-SUPPORT-1044	PRT29	1044	41 1/8
3000	ELA87	EM02B1100DS*	EM52B1100	EM03B1100D*	EM07B1100D*	OCEM-SUPPORT-1229	PRT29	1229	48 7/16

OCEH - Hauteur : 27 po (685 mm) / Heater height: 27 in (685 mm)

Watts	Élément chauffant <i>Heating element</i>	Devant <i>Front</i>	Devant acier inoxydable <i>Stainless steel front</i>	Grille du haut <i>Top grille</i>	Grille du bas <i>Bottom grille</i>	Support mural <i>Wall bracket</i>	Protection thermique <i>High-limit</i>	Longueur du produit <i>Product length</i>	
								m m	po <i>in</i>
500	ELA70	EH02B0200DS*	EH52B0200	EH03B0200D*	EH07B0200D*	OCEH-SUPPORT-270	PRT37	270	10 5/8
750	ELA71	EH02B0300DS*	EH52B0300	EH03B0300D*	EH07B0300D*	OCEH-SUPPORT-344	PRT37	344	13 1/2
1000	ELA72	EH02B0400DS*	EH52B0400	EH03B0400D*	EH07B0400D*	OCEH-SUPPORT-418	PRT27	418	16 1/2
1250	ELA73	EH02B0500DS*	EH52B0500	EH03B0500D*	EH07B0500D*	OCEH-SUPPORT-492	PRT27	492	19 7/16
1500	ELA74	EH02B0600DS*	EH52B0600	EH03B0600D*	EH07B0600D*	OCEH-SUPPORT-584	PRT27	584	23
1750	ELA75	EH02B0700DS*	EH52B0700	EH03B0700D*	EH07B0700D*	OCEH-SUPPORT-674	PRT27	674	26 1/2
2000	ELA76	EH02B0800DS*	EH52B0800	EH03B0800D*	EH07B0800D*	OCEH-SUPPORT-714	PRT27	714	28 1/8
2500	ELA77	EH02B1000DS*	EH52B1000	EH03B1000D*	EH07B1000D*	OCEH-SUPPORT-862	PRT28	862	34
3000	ELA78	EH02B1100DS*	EH52B1100	EH03B1100D*	EH07B1100D*	OCEH-SUPPORT-1044	PRT29	1044	41 1/8