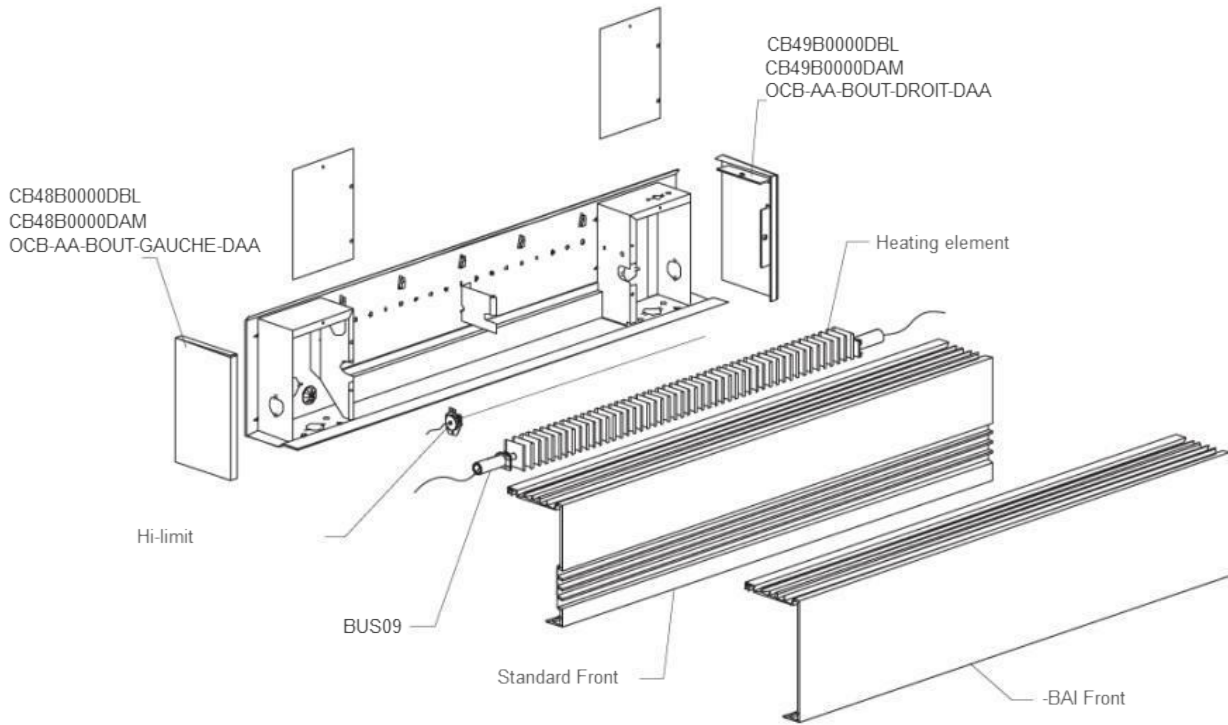
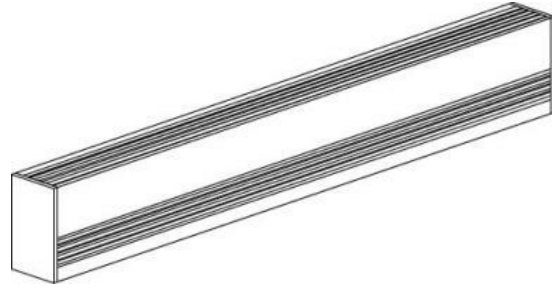


OCB *series*

Aluminum Draft Barrier



Watts	Élément chauffant Heating element					Devant Front		Protection thermique Hi-limit	Longueur de produit Product length	
	120V	208V	240V	347V	600V	Standard	-BAI		MM	po/in.
500	SF44A02A0	SF44A02B0	SF44A02C0	SF44A02D0	-	CB02A0200D*	CB74B0200D*	PRT10	711	28
750	SF44A03A0	SF44A03B0	SF44A03C0	SF44A03D0	SF44A03E0	CB02A0300D*	CB74B0300D*	PRT11	965	38
1000	SF44A04A0	SF44A04B0	SF44A04C0	SF44A04D0	SF44A04E0	CB02A0400D*	CB74B0400D*	PRT12	1224	48 3/16
1250	SF44A05A0	SF44A05B0	SF44A05C0	SF44A05D0	SF44A05E0	CB02A0500D*	CB74B0500D*	PRT13	1465	57 11/16
1500	SF44A06A0	SF44A06B0	SF44A06C0	SF44A06D0	SF44A06E0	CB02A0600D*	CB74B0600D*	PRT14	1687	66 7/16
1750	-	SF44A07B0	SF44A07C0	SF44A07D0	SF44A07E0	CB02A0700D*	CB74B0700D*	PRT15	1925	75 13/16
2000	-	SF44A08B0	SF44A08C0	SF44A08D0	SF44A08E0	CB02A0800D*	CB74B0800D*	PRT16	2148	84 9/16
2250	-	SF44A09B0	SF44A09C0	SF44A09D0	SF44A09E0	CB02A0900D*	CB74B0900D*	PRT17	2375	93 1/2
2500	-	SF44A10B0	SF44A10C0	SF44A10D0	SF44A10E0	CB02A1000D*	CB74B1000D*	PRT18	2606	102 5/8