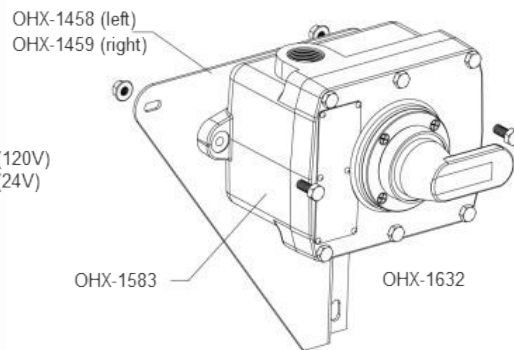
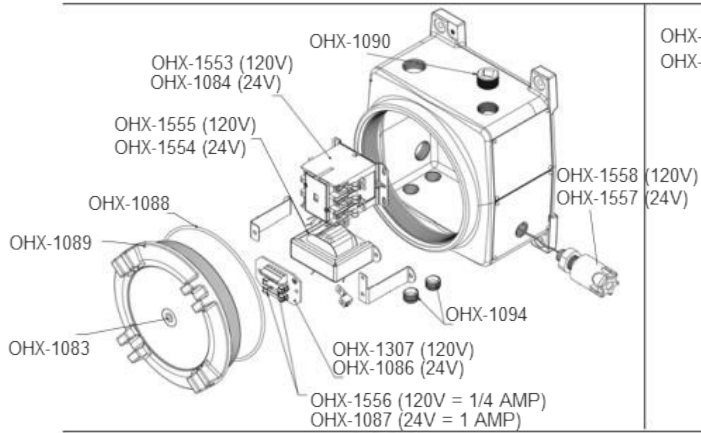
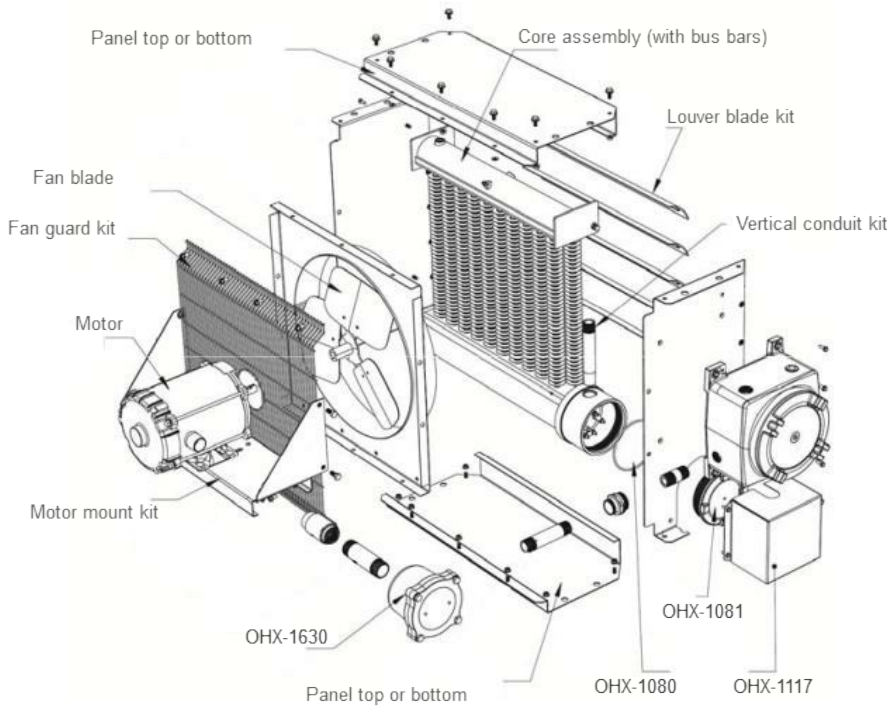
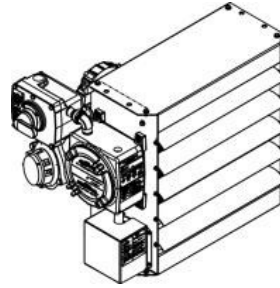
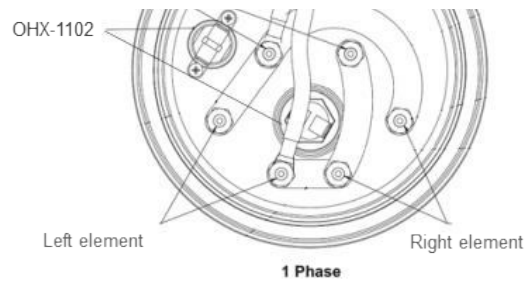
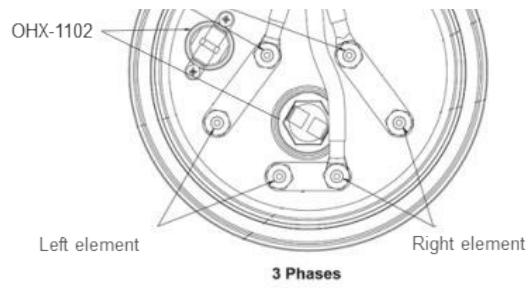


OHX series

Explosion-Proof Unit Heater





Watts	Faisceau (avec barres omnibus) Core assembly (with bus bars)	Panneau du bas et du haut Panel bottom and top	Kit volet Louver blade kit	Pale de ventilateur Fan blade	Kit grillage de protection Fan guard kit	Kit conduit vertical Vertical Conduit kit
3000	Contacter le support technique / Contact technical support	OHX-1109	OHX-1625	OHX-1544	OHX-1157	OHX-1072
5000				OHX-1545		
7500				OHX-1546		
10000				OHX-1547		
15000		OHX-1110	OHX-1626	OHX-1548	OHX-1158	OHX-1073
20000				OHX-1549		
25000		OHX-1111	OHX-1627	OHX-1550	OHX-1159	OHX-1074
30000				OHX-1551		
35000						

Watts	Volts (ph)	Moteur Motor	Kit support moteur Motor mount kit
3000	208 (1)	OHX-G639	OHX-1114
	208 (3)	OHX-G646	
	240 (1)	OHX-G639	
	240 (3)	OHX-G646	
	480 (3)	OHX-G646	
	600 (3)	OHX-G664	
5000	208 (1)	OHX-G639	
	208 (3)	OHX-G646	
	240 (1)	OHX-G639	
	240 (3)	OHX-G646	
	480 (3)	OHX-G646	
	600 (3)	OHX-G664	
7500	208 (1)	OHX-G639	
	208 (3)	OHX-G646	
	240 (1)	OHX-G639	
	240 (3)	OHX-G646	
	480 (3)	OHX-G646	
	600 (3)	OHX-G664	
10000	208 (3)	OHX-G646	
	240 (1)	OHX-G639	
	240 (3)	OHX-G646	
	480 (3)	OHX-G646	
	600 (3)	OHX-G664	
15000	208 (3)	OHX-G646	OHX-1115
	240 (3)	OHX-G646	
	480 (3)	OHX-G646	
	600 (3)	OHX-G664	
20000	480 (3)	OHX-G646	OHX-1116
	600 (3)	OHX-G664	
25000	480 (3)	OHX-G649	
	600 (3)	OHX-G666	
30000	480 (3)	OHX-G649	
	600 (3)	OHX-G666	
35000	480 (3)	OHX-G649	
	600 (3)	OHX-G666	