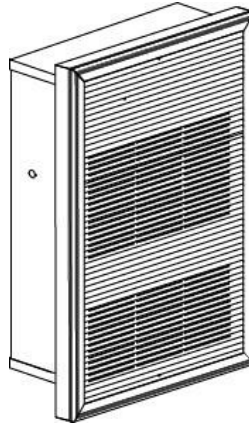


OAWH series

Forced-Air Architectural Wall Heater

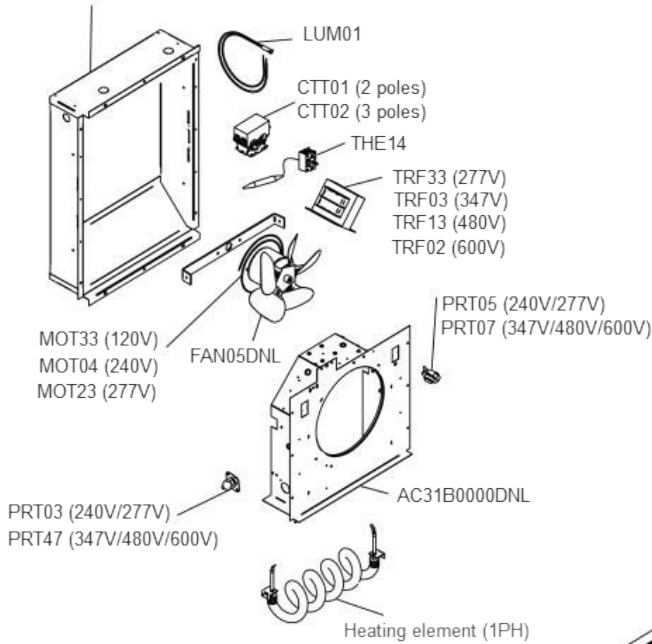


1-phase Unit

AC35B0000 (1500W/1PH to 4800W/1PH)

6900000011 (6000W/1PH to 8000W/1PH)

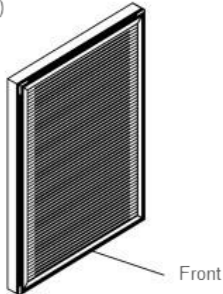
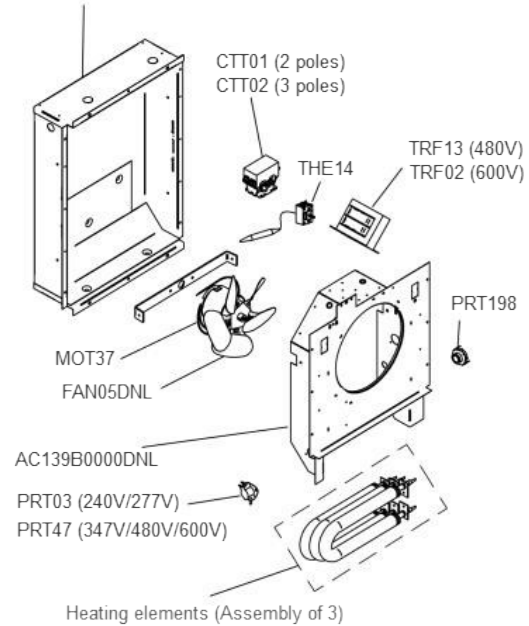
AC53J0000 (9000W to 12000W)



3-phase Unit

AC140B0000 (3000W/3PH to 5000W/3PH, single unit)

AC142B0000 (6000W/3PH, double unit)



Unité	Devant Front
Simple	AC133J0000D*
Double	AC134J0000D*
Triple	AC135J0000D*

* Couleurs sur mesure disponibles sur demande. / Custom colors available upon request.

Watts (PH)	Élément chauffant Heating element						
	120V	208V	240V	277V	347V	480V	600V
1500 (1)	ELO114	-	ELO71	ELU32	ELO66	ELU71	ELO67
2000 (1)	-	ELO72	ELO47	ELU20	ELO50	ELU24	ELO53
3000 (1)	-	-	ELO48	ELU21	ELO51	ELU25	ELO54
3000 (3)		4502500005	4502500008			4502500010	4502500013
4000 (1)	-	ELO46	ELO49	ELU22	ELO52	ELU26	ELO55
4000 (3)		4502500006	4502500005			4502500011	4502500014
4800 (1)	-	ELU30	ELU31	ELU33	ELO107	ELU58	ELO106
5000 (3)		4502500007	4502500009			4502500012	4502500015
6000 (1)	-	-	ELO48	ELU21	ELO51	ELU25	ELO54
6000 (3) unité triple / triple unit	-	ELO72	-	-	-	-	ELO53
6000 (3) unité double / double unit	-	4502500005	-	-	-	-	-
8000 (1)	-	ELO46	ELO49	ELU22	ELO52	ELU26	ELO55
9000 (3)	-	ELO49	-	-	-	-	ELO54
12000 (1)	-	ELO46	ELO49	ELU22	ELO52	ELU26	ELO55
12000 (3)	-	ELO46	-	-	-	ELU26	ELO55