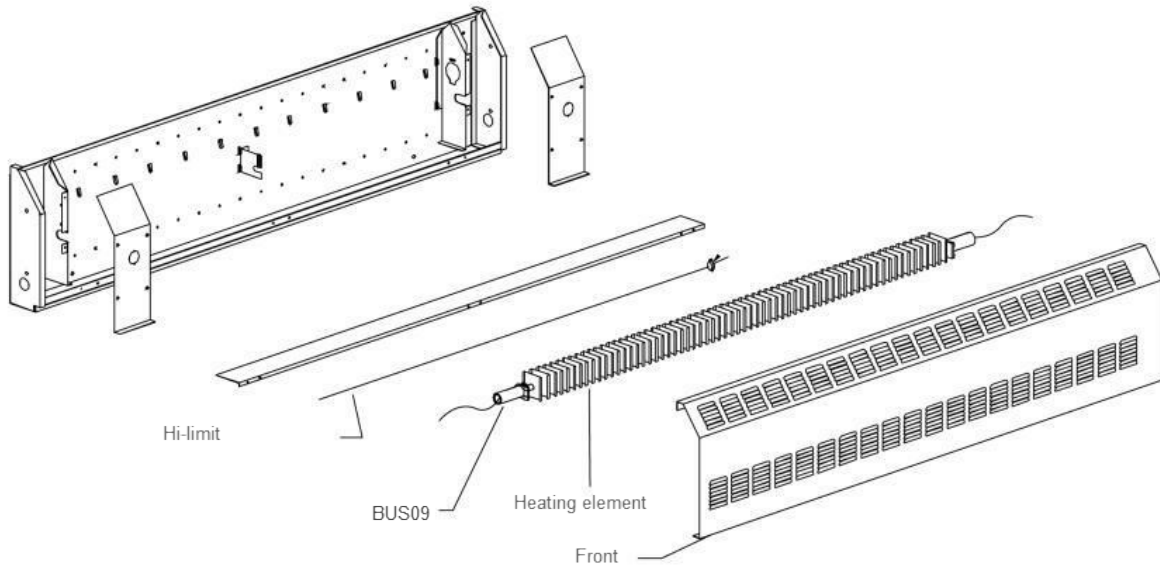
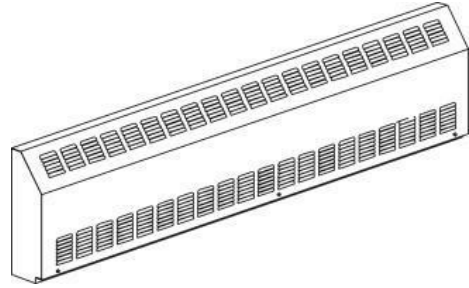


# OPR *series*

Heavy-Duty Baseboard Heater



Watts	Élément chauffant Heating element					Devant Front	Protection thermique Hi-limit	Longueur du produit Product length	
	120V	208V	240V	347V	600V			m m	po/in.
300	SF44A01A0	SF44A01B0	SF44A01C0	-	-	PR01D0100D*	PRT10	522	20 9/16
500	SF44A02A0	SF44A02B0	SF44A02C0	SF44A02D0	-	PR01D0200D*	PRT10	647	25 1/2
750	SF44A03A0	SF44A03B0	SF44A03C0	SF44A03D0	SF44A03E0	PR01D0300D*	PRT11	901	35 1/2
1000	SF44A04A0	SF44A04B0	SF44A04C0	SF44A04D0	SF44A04E0	PR01D0400D*	PRT12	1162	45 3/4
1250	SF44A05A0	SF44A05B0	SF44A05C0	SF44A05D0	SF44A05E0	PR01D0500D*	PRT13	1403	55 1/4
1500	SF44A06A0	SF44A06B0	SF44A06C0	SF44A06D0	SF44A06E0	PR01D0600D*	PRT14	1624	63 15/16
1750	-	SF44A07B0	SF44A07C0	SF44A07D0	SF44A07E0	PR01D0700D*	PRT15	1861	73 1/4
2000	-	SF44A08B0	SF44A08C0	SF44A08D0	SF44A08E0	PR01D0800D*	PRT16	2084	82 1/16
2250	-	SF44A09B0	SF44A09C0	SF44A09D0	SF44A09E0	PR01D0900D*	PRT17	2309	90 15/16
2500	-	SF44A10B0	SF44A10C0	SF44A10D0	SF44A10E0	PR01D1000D*	PRT18	2541	100