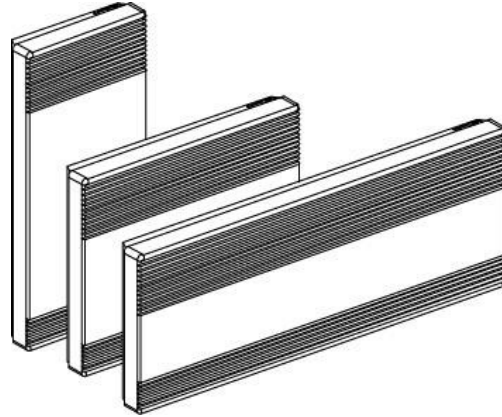
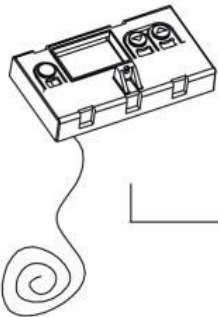
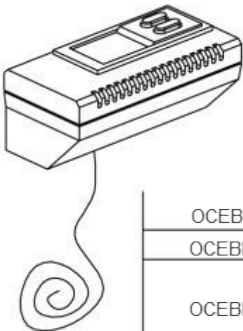


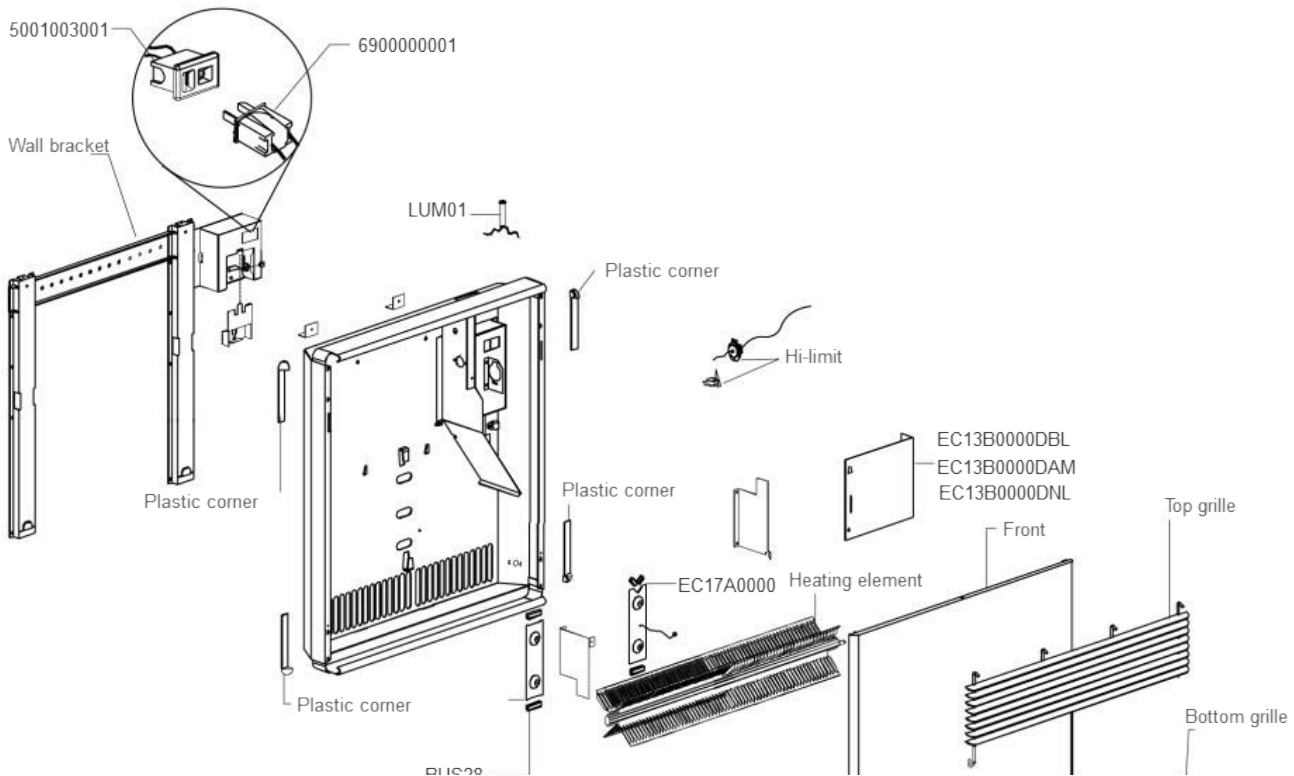
# OCE series

European-Style Convector

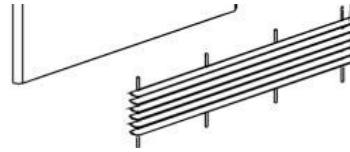


**Thermostat intégré / Built-in thermostat**

 <p>Blanc/White</p>	<p>OCEBMH-TH-DBL</p>	Blanc/White
	<p>OCEBMH-TH-DAM</p>	Amande/Almond
	<p>OCEBMH-TH-DNL</p>	Noir/Black
		Couleur optionnelle/Optional color
		Acier inoxydable/Stainless steel



00020 —  
(Indicate wanted length in ft.)



	Coin en plastique Plastic corner		
	Blanc White	Amande Almond	Noir Black
OCEH haut droit / OCEH top-right	BUS10	BUS29	BUS39
OCEH haut gauche / OCEH top-left	BUS11	BUS30	BUS40
OCEH bas droit / OCEH bottom-right	BUS12	BUS33	BUS45
OCEH bas gauche / OCEH bottom-left	BUS13	BUS34	BUS46
OCEBM bas droit / OCEBM bottom-right	BUS14	BUS31	BUS41
OCEBM bas gauche / OCEBM bottom-left	BUS15	BUS32	BUS42
OCEB haut gauche / OCEB top-left	BUS24	BUS35	BUS47
OCEB haut droit / OCEB top-right	BUS25	BUS36	BUS48
OCEM haut gauche / OCEM top-left	BUS26	BUS37	BUS43
OCEM haut droit / OCEM top-right	BUS27	BUS38	BUS44

**OCEB - Hauteur : 14 po (356 mm) / Heater height: 14 in (356 mm)**

Watts	Élément chauffant Heating element	Devant Front	Devant acier inoxydable Stainless steel front	Grille du haut Top grille	Grille du bas Bottom grille	Support mural Wall bracket	Protection thermique High-limit	Longueur du produit Product length	
								m m	po in
500	ELA88	EB02B0200DS*	EB52B0200	EB03B0200D*	EB07B0200D*	OCEB-SUPPORT-492	PRT27	492	19 7/16
750	ELA89	EB02B0300DS*	EB52B0300	EB03B0300D*	EB07B0300D*	OCEB-SUPPORT-584	PRT27	584	23
1000	ELA90	EB02B0400DS*	EB52B0400	EB03B0400D*	EB07B0400D*	OCEB-SUPPORT-674	PRT27	674	26 1/2
1250	ELA91	EB02B0500DS*	EB52B0500	EB03B0500D*	EB07B0500D*	OCEB-SUPPORT-862	PRT28	862	34
1500	ELA92	EB02B0600DS*	EB52B0600	EB03B0600D*	EB07B0600D*	OCEB-SUPPORT-924	PRT28	924	36 7/16
1750	ELA93	EB02B0700DS*	EB52B0700	EB03B0700D*	EB07B0700D*	OCEB-SUPPORT-1044	PRT29	1044	41 1/8
2000	ELA94	EB02B0800DS*	EB52B0800	EB03B0800D*	EB07B0800D*	OCEB-SUPPORT-1179	PRT29	1179	46 7/16
2500	ELA94 + ELA88	EB02B1000DS*	EB52B1000	EB03B1000D*	EB07AB1000D*	OCEB-SUPPORT-1579	PRT31	1579	62 1/4
3000	ELA94 + ELA90	EB02B1100DS*	EB52B1100	EB03B1100D*	EB07B1100D*	OCEB-SUPPORT-1760	PRT31	1760	69 5/16

**OCEM - Hauteur : 18.5 po (470 mm) / Heater height: 18.5 in (470 mm)**

Watts	Élément chauffant Heating element	Devant Front	Devant acier inoxydable Stainless steel front	Grille du haut Top grille	Grille du bas Bottom grille	Support mural Wall bracket	Protection thermique High-limit	Longueur du produit Product length	
								m m	po in
500	ELA79	EM02B0200DS*	EM52B0200	EM03B0200D*	EM07B0200D*	OCEM-SUPPORT-344	PRT37	344	13 1/2
750	ELA80	EM02B0300DS*	EM52B0300	EM03B0300D*	EM07B0300D*	OCEM-SUPPORT-418	PRT27	418	16 1/2
1000	ELA81	EM02B0400DS*	EM52B0400	EM03B0400D*	EM07B0400D*	OCEM-SUPPORT-492	PRT27	492	19 7/16
1250	ELA82	EM02B0500DS*	EM52B0500	EM03B0500D*	EM07B0500D*	OCEM-SUPPORT-584	PRT27	584	23
1500	ELA83	EM02B0600DS*	EM52B0600	EM03B0600D*	EM07B0600D*	OCEM-SUPPORT-674	PRT27	674	26 1/2
1750	ELA84	EM02B0700DS*	EM52B0700	EM03B0700D*	EM07B0700D*	OCEM-SUPPORT-769	PRT28	769	30 5/16
2000	ELA85	EM02B0800DS*	EM52B0800	EM03B0800D*	EM07B0800D*	OCEM-SUPPORT-862	PRT28	862	34
2500	ELA86	EM02B1000DS*	EM52B1000	EM03B1000D*	EM07B1000D*	OCEM-SUPPORT-1044	PRT29	1044	41 1/8
3000	ELA87	EM02B1100DS*	EM52B1100	EM03B1100D*	EM07B1100D*	OCEM-SUPPORT-1229	PRT29	1229	48 7/16

**OCEH - Hauteur : 27 po (685 mm) / Heater height: 27 in (685 mm)**

Watts	Élément chauffant <i>Heating element</i>	Devant <i>Front</i>	Devant acier inoxydable <i>Stainless steel front</i>	Grille du haut <i>Top grille</i>	Grille du bas <i>Bottom grille</i>	Support mural <i>Wall bracket</i>	Protection thermique <i>High-limit</i>	Longueur du produit <i>Product length</i>	
								m m	po in
500	ELA70	EH02B0200DS*	EH52B0200	EH03B0200D*	EH07B0200D*	OCEH-SUPPORT-270	PRT37	270	10 5/8
750	ELA71	EH02B0300DS*	EH52B0300	EH03B0300D*	EH07B0300D*	OCEH-SUPPORT-344	PRT37	344	13 1/2
1000	ELA72	EH02B0400DS*	EH52B0400	EH03B0400D*	EH07B0400D*	OCEH-SUPPORT-418	PRT27	418	16 1/2
1250	ELA73	EH02B0500DS*	EH52B0500	EH03B0500D*	EH07B0500D*	OCEH-SUPPORT-492	PRT27	492	19 7/16
1500	ELA74	EH02B0600DS*	EH52B0600	EH03B0600D*	EH07B0600D*	OCEH-SUPPORT-584	PRT27	584	23
1750	ELA75	EH02B0700DS*	EH52B0700	EH03B0700D*	EH07B0700D*	OCEH-SUPPORT-674	PRT27	674	26 1/2
2000	ELA76	EH02B0800DS*	EH52B0800	EH03B0800D*	EH07B0800D*	OCEH-SUPPORT-714	PRT27	714	28 1/8
2500	ELA77	EH02B1000DS*	EH52B1000	EH03B1000D*	EH07B1000D*	OCEH-SUPPORT-862	PRT28	862	34
3000	ELA78	EH02B1100DS*	EH52B1100	EH03B1100D*	EH07B1100D*	OCEH-SUPPORT-1044	PRT29	1044	41 1/8